

High Quality Replacement Units & Parts

GENUINE METARIS 20 SERIES PRODUCT OFFERING

Aftermarket Sundstrand®
PV & MF Series



Contents

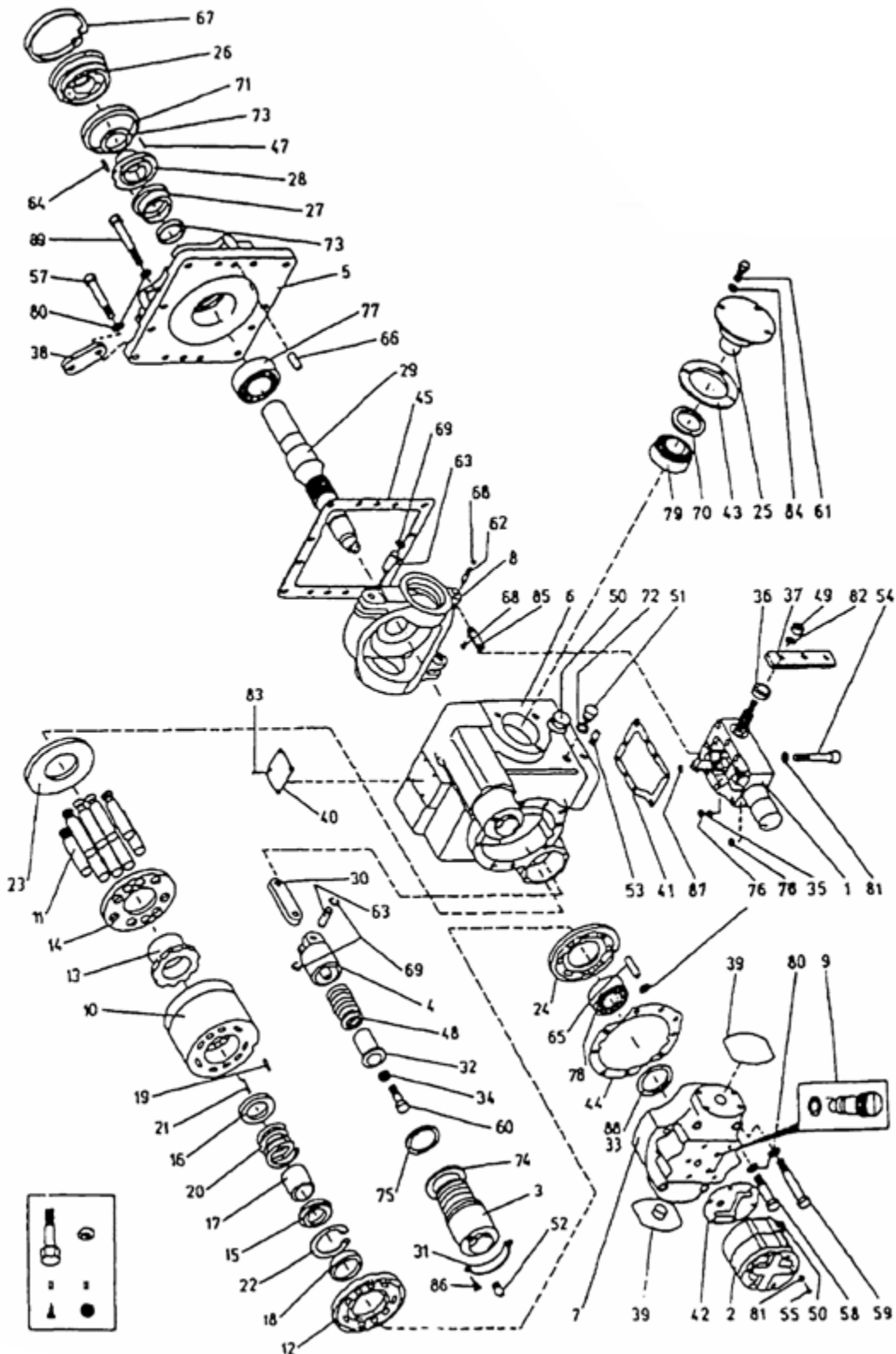
	Section	Page
Pump Parts	PV-20 Model	3
	PV-21 Model	7
	PV-22 Model	11
	PV-23 Model	15
	PV-24 Model	19
	PV-25 Model	23
	PV-26 Model	27
	PV-27 Model	31
	Motor Parts	MF-20 Model
MF-21 Model		38
MF-22 Model		41
MF-23 Model		44
MF-24 Model		47
MF-25 Model		50
MF-26 Model		53
MF-27 Model		56
Units		Variable Pumps (PV Series)
	Fixed Motors (MF Series)	60
	Optional Core Returns	61

Sundstrand® is a registered trademark of Sauer Danfoss® Inc.

Cross-referenced parts from the Original Equipment Manufacturer "OEM" are listed for information purposes only. Trademarks identifying these parts for cross-reference are those of each OEM and are the property of their owners and are not used, or authorized for use, by Metaris or Hydraulex Global or its affiliates. Neither Metaris nor Hydraulex Global are affiliated with the Original Equipment Manufacturer "OEM" or licensed or authorized to produce parts for the OEM.

General

PV-20 Component Breakdown



General PV-20 Replacement Parts Listing

P&D on R = Price & Delivery on Request

Item #	Part #	Reference #	Description	Availability		
				Genuine Metaris	Hydralex Reman*	OEM
1		M95103682001	MH STD SERVO VALVE	Stock	Stock	P&D on R
1		M95103692001	MC SERVO VALVE w POR	Stock	Stock	P&D on R
1		M11013664	HDC HYDRAULIC SERVO VALVE w/o Link Kit (MMCV106A6901)	Stock	Stock	P&D on R
1		M11018280	HDC/POR Hydraulic Servo Valve w/ POR w/o Link Kit (MMCV106A8901)	Stock	Stock	P&D on R
2		M95103650010	Charge Pump Assembly 12.3 cm3 (.75) (CW)	Stock	Stock	P&D on R
2		M95103650011	Charge Pump Assembly 12.3 cm3 (.75) (CCW)	Stock	Stock	P&D on R
2		M95103650002	Charge Pump Assembly 18.3 cm3 (1.1) (CW)	Stock	Stock	P&D on R
2		M95103650001	Charge Pump Assembly 18.3 cm3 (1.1) (CCW)	Stock	Stock	P&D on R
3		M9200528	Servo Sleeve	Stock	Stock	P&D on R
4		M9200488	Servo Piston	Stock	Stock	P&D on R
5		M9200075	Front Cover	P&D on R	Stock	P&D on R
6		M9200168	Pump Housing	P&D on R	Stock	P&D on R
7		M9200432	End Cap (code 61)	P&D on R	Stock	P&D on R
7		M9200433	End Cap (code 62)	P&D on R	Stock	P&D on R
8		M9200201	Swash Plate	P&D on R	Stock	P&D on R
9		M9800648	Check Valve	Stock	n/a	P&D on R
10		M9200544	Cylinder Barrel	Stock	Stock	P&D on R
11		M9200499	Piston Assembly (Individual)	Stock	Stock	P&D on R
12		M9200216	Bearing Plate	Stock	n/a	P&D on R
13		M2642	Retainer (Ball) Guide	Stock	n/a	P&D on R
14		M2667	Slipper Retainer (Set Plate)	Stock	n/a	P&D on R
15		M9200336	Spring Retainer	P&D on R	n/a	P&D on R
16		M9200013	Spring Seat	P&D on R	n/a	P&D on R
17		M9200015	Spring Guide	Stock	n/a	P&D on R
18		M9200179	Bearing Plate Pilot	P&D on R	n/a	P&D on R
19		M9200228	Pin	Stock	n/a	P&D on R
20		M9200503	Cylinder Barrel Spring	Stock	n/a	P&D on R
21		M9200545	Retainer (Ball Guide) Spring - GSP Type	Stock	n/a	P&D on R
22		M90062000175	Retaining Ring	P&D on R	n/a	P&D on R
23		M10520	Thrust Plate (Shoe Plate)	Stock	n/a	P&D on R
24		M9200428	Valve Plate (CW)	Stock	n/a	P&D on R
24		M9200429	Valve Plate (CCW)	Stock	n/a	P&D on R
25		M9200018	Trunnion	P&D on R	Stock	P&D on R
		M9510189	Shaft Seal Kit	Stock	n/a	P&D on R

General

PV-20 Replacement Parts Listing Cont.

P&D on R = Price & Delivery on Request

Item #	Part #	Reference #	Description	Availability		
				Genuine Metaris	Hydralex Reman*	OEM
26		M9210168	Seal retainer	Stock	n/a	P&D on R
27		M9210247	Rotating Seal	Stock	n/a	P&D on R
28		M9210248	Stationary Seal	Stock	n/a	P&D on R
29		M46557	Drive Shaft - 21T Gear Charge Pump	Stock	n/a	P&D on R
29		M10827	Drive Shaft - 14T Gear Charge Pump	Stock	n/a	P&D on R
29		M708073	Drive Shaft - 1.375 Str. Key w/ .312 Keyway (Gear Charge Pump)	Stock	n/a	P&D on R
29		M707828	Drive Shaft - 20T Gear Charge Pump	P&D on R	n/a	P&D on R
30		M9200467	Servo Link	Stock	n/a	P&D on R
31		M9200087	Sleeve Retainer	Stock	n/a	P&D on R
32		M9210046	Spring Guide - Servo Piston	Stock	n/a	P&D on R
33		M95104230001	End Cap Bearing Shim Kit	Stock	n/a	P&D on R
34		M90096252604	Washer	Stock	n/a	P&D on R
35		M9802412	Orifice - .025	Stock	n/a	P&D on R
35		M9801202	Orifice - .036	Stock	n/a	P&D on R
35		M9801094	Orifice - .042	Stock	n/a	P&D on R
35		M9801254	Orifice - .052	Stock	n/a	P&D on R
35		M9802564	Orifice - .060	Stock	n/a	P&D on R
36		M9800917	Spacer	P&D on R	n/a	P&D on R
37		M9803418	Control Handle	n/a	n/a	Stock
38		M6890181	Lifting Eye	Stock	n/a	P&D on R
41		M9803340	Control Valve Gasket	Stock	n/a	P&D on R
42		M9801235	Charge Pump Gasket	Stock	n/a	P&D on R
43		M95104220001	Trunnion Bearing Shim Kit	n/a	n/a	Stock
44		M9200088	End Cap Gasket	Stock	n/a	P&D on R
45		M9200076	Front Cover Gasket	Stock	n/a	P&D on R
47		M9220242	Seal Retainer Spring	Stock	n/a	P&D on R
48		M9210529	Servo Spring	Stock	n/a	P&D on R
49		M90035602500	Control Handle Nut	Stock	n/a	P&D on R
51		M90051004400	Housing Plug	Stock	n/a	P&D on R
54		M90072002530	Control Mounting Bolt	Stock	n/a	P&D on R
55		M90072002536	12.3 cm3 (.75) Charge Pump Mounting Bolt	Stock	n/a	P&D on R
55		M90072002540	18.3 cm3 (1.1) Charge Pump Mounting Bolt	Stock	n/a	P&D on R
57		M90072003722	Front Cover Bolt	Stock	n/a	P&D on R
58			End Cap Screw Short	P&D on R	n/a	P&D on R
59			End Cap Screw Long	P&D on R	n/a	P&D on R
60		M90075750012	Servo Piston Spring Bolt	Stock	n/a	P&D on R

General

PV-20 Replacement Parts Listing Cont.

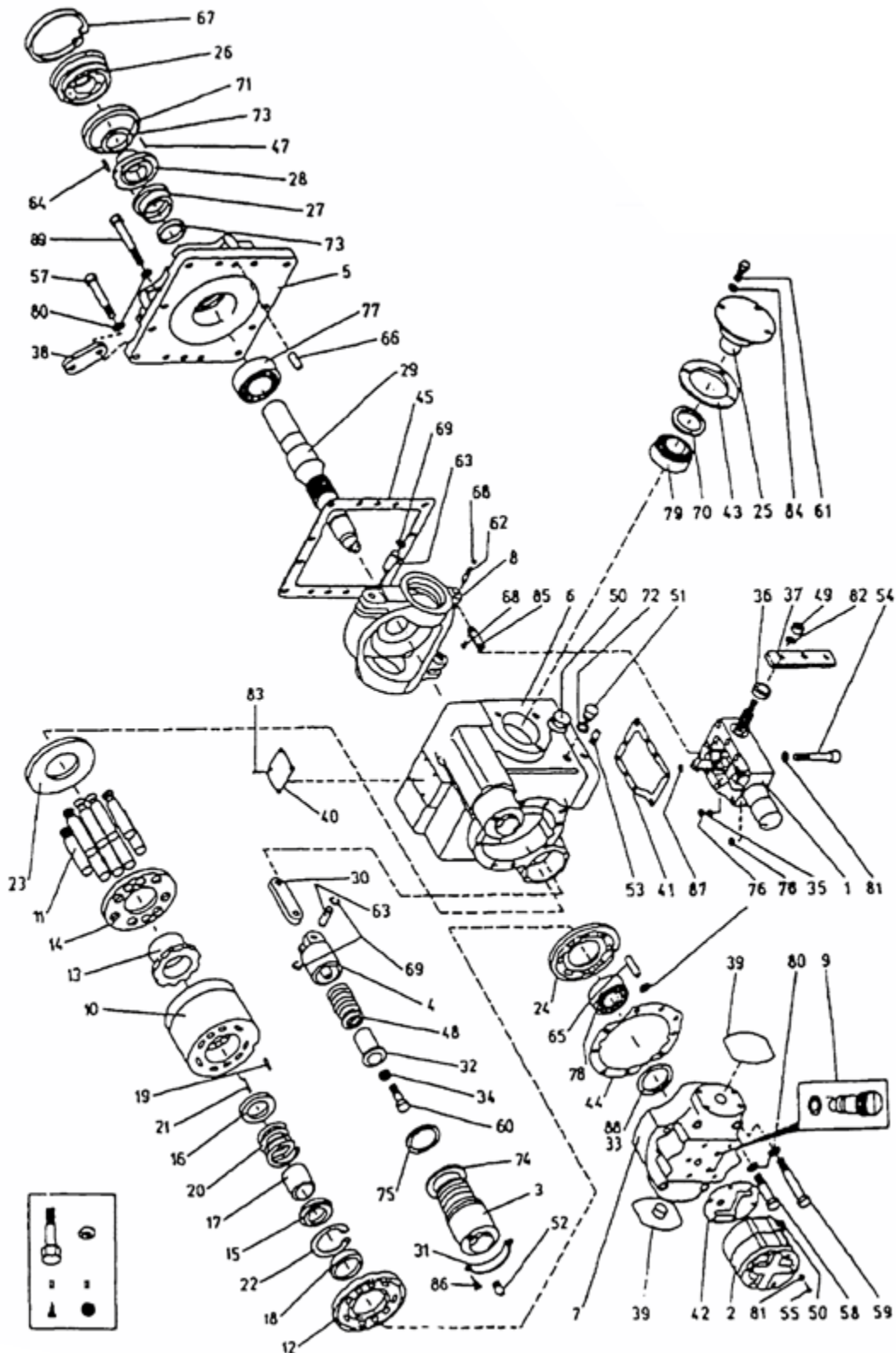
P&D on R = Price & Delivery on Request

Item #	Part #	Reference #	Description	Availability		
				Genuine Metaris	Hydralex Reman*	OEM
61		M90072003112	Trunnion Bolt	Stock	n/a	P&D on R
62		M9802396	Pin - Swash Plate Feedback Link	Stock	n/a	P&D on R
63		M90048300001	Pin - Servo Piston Link	Stock	n/a	P&D on R
65		M90048003110	End Cap Dowel Pin	n/a	n/a	Stock
66		M90048003708	Front Cover Dowel Pin	n/a	n/a	Stock
67		M90062010334	Shaft Seal Retaining Ring	Stock	n/a	P&D on R
68		M90063260025	Swashplate Retaining Ring	Stock	n/a	P&D on R
69		M90063000050	Servo Piston Pin Retaining Ring	Stock	n/a	P&D on R
70		M90041002260	Trunnion Cover O-Ring	Stock	n/a	P&D on R
71		M90041002340	Shaft Seal Retainer O-Ring	Stock	n/a	P&D on R
72		M90041010120	Housing Plug O-Ring	Stock	n/a	P&D on R
73		M90041041290	Rotating Seal O-Ring	Stock	n/a	P&D on R
74		M90041001390	Servo Sleeve O-Ring Large	Stock	n/a	P&D on R
75		M90041001360	Servo Sleeve O-Ring Small	Stock	n/a	P&D on R
76		M90041010140	Orifice O-Ring	Stock	n/a	P&D on R
77		M9510251	Front Bearing - Main Shaft	Stock	n/a	P&D on R
78		M9510250	Rear Bearing - End Cap	Stock	n/a	P&D on R
79		M9510252	Trunnion Bearing	Stock	n/a	P&D on R
80		M90096104069	Front cover bolt Washer	Stock	n/a	P&D on R
81		M90096102850	Control Bolt Washer	Stock	n/a	P&D on R
82		M90096602500	Control Handle Star Washer	Stock	n/a	P&D on R
84		M90096103459	Trunnion Bolt Washer	Stock	n/a	P&D on R
85		M9800905	Swashplate Feedback Link	Stock	n/a	P&D on R
86		M90072760011	Servo Sleeve Lock Torx Head Screw	Stock	n/a	P&D on R
		M9510224	Pump Gasket Kit (Seal Kit)	Stock	n/a	P&D on R

*Hydralex Global will purchase some reman parts cores back for a credit toward your account. If interested, please speak with your customer service representative for credit amounts. Parts must be in rebuildable/reworkable condition.

General

PV-21 Component Breakdown



General

PV-21 Replacement Parts Listing

P&D on R = Price & Delivery on Request

Item #	Part #	Reference #	Description	Availability		
				Genuine Metaris	Hydralex Reman*	OEM
1		M95103682001	MH STD SERVO VALVE	Stock	Stock	P&D on R
1		M95103692001	MC SERVO VALVE w POR	Stock	Stock	P&D on R
1		M11013664	HDC HYDRAULIC SERVO VALVE w/o Link Kit (MMCV106A6901)	Stock	Stock	P&D on R
1		M11018280	HDC/POR Hydraulic Servo Valve w/ POR w/o Link Kit (MMCV106A8901)	Stock	Stock	P&D on R
2		M95103650003	Charge Pump Assembly 12.3 cm3 (.75) (CW)	Stock	Stock	P&D on R
2		M95103650004	Charge Pump Assembly 12.3 cm3 (.75) (CCW)	Stock	Stock	P&D on R
2		M95103650013	Charge Pump Assembly 18.3 cm3 (1.1) (CW)	Stock	Stock	P&D on R
2		M95103650014	Charge Pump Assembly 18.3 cm3 (1.1) (CCW)	Stock	Stock	P&D on R
3		M9200528	Servo Sleeve	Stock	Stock	P&D on R
4		M9200488	Servo Piston	Stock	Stock	P&D on R
5		M9210200	Front Cover	P&D on R	Stock	P&D on R
6		M9210295	Pump Housing	P&D on R	Stock	P&D on R
7		M9210485	End Cap (code 61)	P&D on R	Stock	P&D on R
7		M9210532	End Cap (code 62)	P&D on R	Stock	P&D on R
8		M9210279	Swash Plate	Stock	Stock	P&D on R
9		M9800648	Check Valve	Stock	n/a	P&D on R
10		M9210576	Cylinder Barrel	Stock	Stock	P&D on R
11		M95104080010	Piston Assembly (Set of 3)	Stock	Stock	P&D on R
12		M9210658	Bearing Plate	Stock	n/a	P&D on R
13		M9210219	Retainer (Ball) Guide	Stock	n/a	P&D on R
14		M9210292	Slipper Retainer (Set Plate)	Stock	n/a	P&D on R
15		M9210014	Spring Retainer	Stock	n/a	P&D on R
16		M9210013	Spring Seat	P&D on R	n/a	P&D on R
17		M9210015	Spring Guide	Stock	n/a	P&D on R
18		M9210308	Bearing Plate Pilot	Stock	n/a	P&D on R
19		M9200228	Pin	Stock	n/a	P&D on R
20		M9210540	Cylinder Barrel Spring	Stock	n/a	P&D on R
21		M9210577	Retainer (Ball Guide) Spring - 6SP Type	Stock	n/a	P&D on R
22		M90062500212	Retaining Ring	Stock	n/a	P&D on R
23		M9210293	Thrust Plate (Shoe Plate)	Stock	n/a	P&D on R
24		M9210478	Valve Plate (CW)	Stock	n/a	P&D on R
24		M9210479	Valve Plate (CCW)	Stock	n/a	P&D on R
25		M9210018	Trunnion	P&D on R	Stock	P&D on R
		M9510189	Shaft Seal Kit	Stock	n/a	P&D on R

General

PV-21 Replacement Parts Listing Cont.

P&D on R = Price & Delivery on Request

Item #	Part #	Reference #	Description	Availability		
				Genuine Metaris	Hydralex Reman*	OEM
26		M9210168	Seal retainer	Stock	n/a	P&D on R
27		M9210247	Rotating Seal	Stock	n/a	P&D on R
28		M9210248	Stationary Seal	Stock	n/a	P&D on R
29		M9210205	Drive Shaft - 21T Gear Charge Pump	Stock	n/a	P&D on R
29		M9210467	Drive Shaft - 14T Gear Charge Pump	Stock	n/a	P&D on R
29		M9210538	Drive Shaft - 1.375 Str. Key w/ .312 Keyway (Gear Charge Pump)	Stock	n/a	P&D on R
29		M9210428	Drive Shaft - 1.375 Tapered w/ .375 woodruff (Gear Charge Pump)	P&D on R	n/a	P&D on R
30		M9200467	Servo Link	Stock	n/a	P&D on R
31		M9200087	Sleeve Retainer	Stock	n/a	P&D on R
32		M9210046	Spring Guide - Servo Piston	Stock	n/a	P&D on R
33		M95104230002	End Cap Bearing Shim Kit	Stock	n/a	P&D on R
34		M90096252604	Washer	Stock	n/a	P&D on R
35		M9802412	Orifice - .025	Stock	n/a	P&D on R
35		M9801202	Orifice - .036	Stock	n/a	P&D on R
35		M9801094	Orifice - .042	Stock	n/a	P&D on R
35		M9801254	Orifice - .052	Stock	n/a	P&D on R
35		M9802564	Orifice - .060	Stock	n/a	P&D on R
36		M9800917	Spacer	P&D on R	n/a	P&D on R
37		M9803418	Control Handle	n/a	n/a	Stock
38		M6890181	Lifting Eye	Stock	n/a	P&D on R
41		M9803340	Control Valve Gasket	Stock	n/a	P&D on R
42		M9801235	Charge Pump Gasket	Stock	n/a	P&D on R
43		M95104220002	Trunnion Bearing Shim Kit	Stock	n/a	P&D on R
44		M9210204	End Cap Gasket	Stock	n/a	P&D on R
45		M9210201	Front Cover Gasket	Stock	n/a	P&D on R
47		M9220242	Seal Retainer Spring	Stock	n/a	P&D on R
48		M9210529	Servo Spring	Stock	n/a	P&D on R
49		M90035602500	Control Handle Nut	Stock	n/a	P&D on R
51		M90051004400	Housing Plug	Stock	n/a	P&D on R
54		M90072002530	Control Mounting Bolt	Stock	n/a	P&D on R
55		M90072002536	12.3 cm3 (.75) Charge Pump Mounting Bolt	Stock	n/a	P&D on R
55		M90072002540	18.3 cm3 (1.1) Charge Pump Mounting Bolt	Stock	n/a	P&D on R
57		M90072003722	Front Cover Bolt	Stock	n/a	P&D on R
58		M90072003728	End Cap Screw Short	Stock	n/a	P&D on R
59		M90072003736	End Cap Screw Long	Stock	n/a	P&D on R

General

PV-21 Replacement Parts Listing Cont.

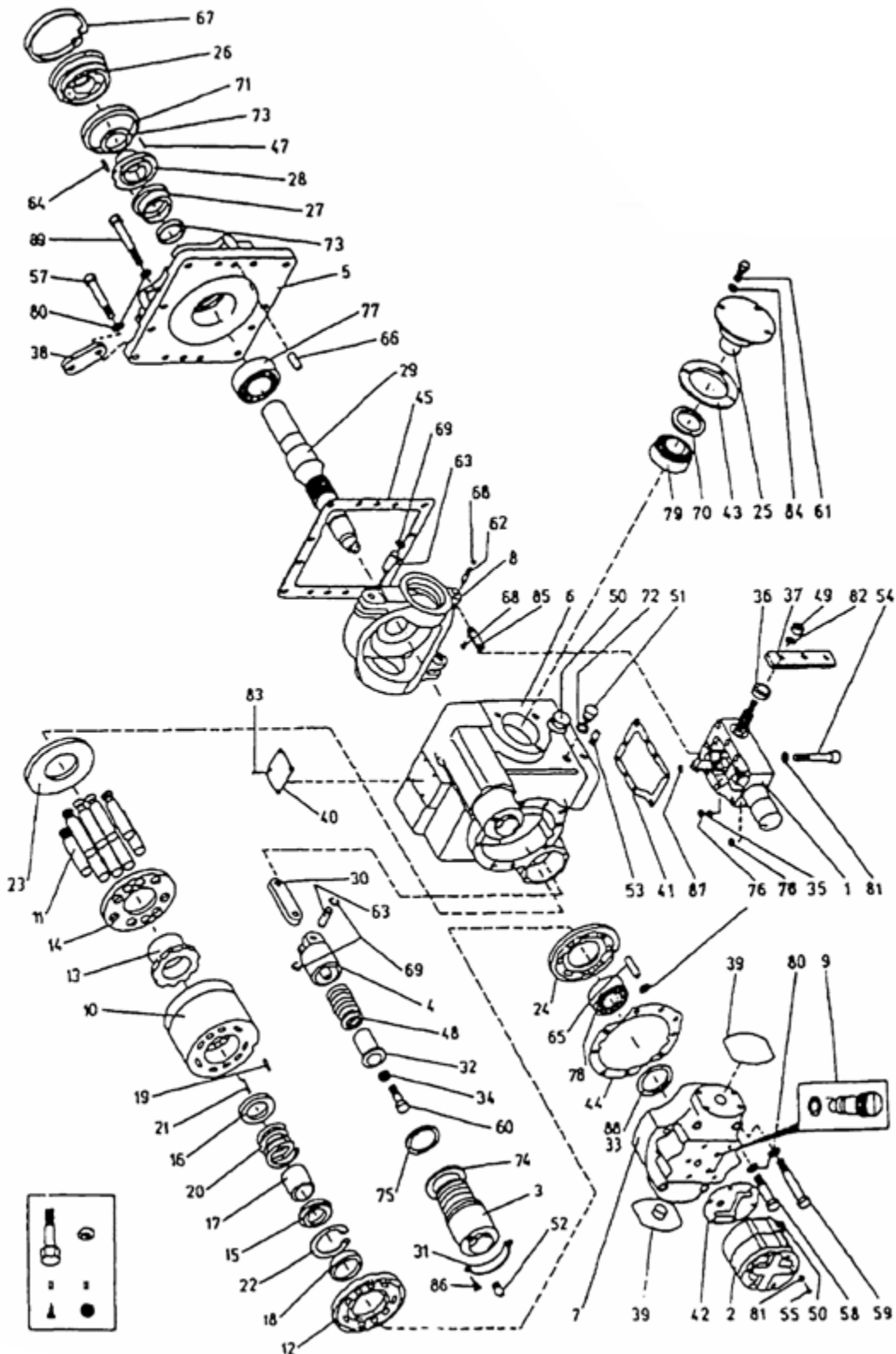
P&D on R = Price & Delivery on Request

Item #	Part #	Reference #	Description	Availability		
				Genuine Metaris	Hydralex Reman*	OEM
60		M90075750012	Servo Piston Spring Bolt	Stock	n/a	P&D on R
61		M90072003112	Trunnion Bolt	Stock	n/a	P&D on R
62		M9802396	Pin - Swash Plate Feedback Link	Stock	n/a	P&D on R
63		M90048300012	Pin - Servo Piston Link	Stock	n/a	P&D on R
65		M90048003110	End Cap Dowel Pin	n/a	n/a	Stock
66		M90048003708	Front Cover Dowel Pin	n/a	n/a	Stock
67		M90062010334	Shaft Seal Retaining Ring	Stock	n/a	P&D on R
68		M90063260025	Swashplate Retaining Ring	Stock	n/a	P&D on R
69		M90063000050	Servo Piston Pin Retaining Ring	Stock	n/a	P&D on R
70		M90041002280	Trunnion Cover O-Ring	Stock	n/a	P&D on R
71		M90041002340	Shaft Seal Retainer O-Ring	Stock	n/a	P&D on R
72		M90041010120	Housing Plug O-Ring	Stock	n/a	P&D on R
73		M90041041290	Rotating Seal O-Ring	Stock	n/a	P&D on R
74		M90041001390	Servo Sleeve O-Ring Large	Stock	n/a	P&D on R
75		M90041001360	Servo Sleeve O-Ring Small	Stock	n/a	P&D on R
76		M90041010140	Orifice O-Ring	Stock	n/a	P&D on R
77		M9510251	Front Bearing - Main Shaft	Stock	n/a	P&D on R
78		M9510253	Rear Bearing - End Cap	Stock	n/a	P&D on R
79		M9510254	Trunnion Bearing	Stock	n/a	P&D on R
80		M90096104069	Front cover bolt Washer	Stock	n/a	P&D on R
81		M90096102850	Control Bolt Washer	P&D on R	n/a	P&D on R
82		M90096602500	Control Handle Star Washer	Stock	n/a	P&D on R
84		M90096103459	Trunnion Bolt Washer	Stock	n/a	P&D on R
85		M9802016	Swashplate Feedback Link	Stock	n/a	P&D on R
86		M90072760011	Servo Sleeve Lock Torx Head Screw	Stock	n/a	P&D on R
		M9510227	Pump Gasket Kit (Seal Kit)	Stock	n/a	P&D on R

*Hydralex Global will purchase some reman parts cores back for a credit toward your account. If interested, please speak with your customer service representative for credit amounts. Parts must be in rebuildable/reworkable condition.

General

PV-22 Component Breakdown



General PV-22 Replacement Parts Listing

P&D on R = Price & Delivery on Request

Item #	Part #	Reference #	Description	Availability		
				Genuine Metaris	Hydralex Reman*	OEM
1		M95103682001	MH STD SERVO VALVE	Stock	Stock	P&D on R
1		M95103692001	MC SERVO VALVE w POR	Stock	Stock	P&D on R
1		M11013664	HDC HYDRAULIC SERVO VALVE w/o Link Kit (MMCV106A6901)	Stock	Stock	P&D on R
1		M11018280	HDC/POR Hydraulic Servo Valve w/ POR w/o Link Kit (MMCV106A8901)	Stock	Stock	P&D on R
2		M95103650003	Charge Pump Assembly 12.3 cm3 (.75) (CW)	Stock	Stock	P&D on R
2		M95103650004	Charge Pump Assembly 12.3 cm3 (.75) (CCW)	Stock	Stock	P&D on R
2		M95103650013	Charge Pump Assembly 18.3 cm3 (1.1) (CW)	Stock	Stock	P&D on R
2		M95103650014	Charge Pump Assembly 18.3 cm3 (1.1) (CCW)	Stock	Stock	P&D on R
3		M9221149	Servo Sleeve	Stock	Stock	P&D on R
4		M9221012	Servo Piston	Stock	Stock	P&D on R
5		M9220418	Front Cover	P&D on R	Stock	P&D on R
6		M9221250	Pump Housing	P&D on R	Stock	P&D on R
7		M9220997	End Cap (code 61)	P&D on R	Stock	P&D on R
7		M9221053	End Cap (code 62)	P&D on R	Stock	P&D on R
8		M9220570	Swash Plate	Stock	Stock	P&D on R
9		M9800648	Check Valve	Stock	n/a	P&D on R
10		M9221102	Cylinder Barrel	Stock	Stock	P&D on R
11		M95104080001	Piston Assembly (Set of 3)	Stock	Stock	P&D on R
12		M9221335	Bearing Plate	Stock	n/a	P&D on R
13		M9220500	Retainer (Ball) Guide	Stock	n/a	P&D on R
14		M9220628	Slipper Retainer (Set Plate)	Stock	n/a	P&D on R
15		M9220043	Spring Retainer	P&D on R	n/a	P&D on R
16		M9220042	Spring Seat	P&D on R	n/a	P&D on R
17		M9220015	Spring Guide	Stock	n/a	P&D on R
18		M9220633	Bearing Plate Pilot	Stock	n/a	P&D on R
19		M9240217	Pin	Stock	n/a	P&D on R
20		M9230627	Cylinder Barrel Spring	Stock	n/a	P&D on R
21		M9221105	Retainer (Ball Guide) Spring - 6SP Type	Stock	n/a	P&D on R
22		M90062500231	Retaining Ring	P&D on R	n/a	P&D on R
23		M9220626	Thrust Plate (Shoe Plate)	Stock	n/a	P&D on R
24		M9220990	Valve Plate (CW)	Stock	n/a	P&D on R
24		M9220991	Valve Plate (CCW)	Stock	n/a	P&D on R
25		M9220018	Trunnion	P&D on R	Stock	P&D on R
		M9510189	Shaft Seal Kit	Stock	n/a	P&D on R

General **PV-22 Replacement Parts Listing Cont.**

P&D on R = Price & Delivery on Request

Item #	Part #	Reference #	Description	Availability		
				Genuine Metaris	Hydralex Reman*	OEM
26		M9210168	Seal retainer	Stock	n/a	P&D on R
27		M9210247	Rotating Seal	Stock	n/a	P&D on R
28		M9210248	Stationary Seal	Stock	n/a	P&D on R
29		M9220417	Drive Shaft - 21T Gear Charge Pump	Stock	n/a	P&D on R
29		M9220944	Drive Shaft - 14T Gear Charge Pump	Stock	n/a	P&D on R
29		M9221065	Drive Shaft - 1.375 Str. Key w/ .312 Keyway (Gear Charge Pump)	Stock	n/a	P&D on R
29		M9220527	Drive Shaft - 20T Gear Charge Pump	Stock	n/a	P&D on R
29		M9220884	Drive Shaft - 1.375 Tapered w/ .375 woodruff (Gear Charge Pump)	Stock	n/a	P&D on R
29		M9220515	Drive Shaft - 19T Gear Charge Pump	Stock	n/a	P&D on R
30		M9221017	Servo Link	Stock	n/a	P&D on R
31		M9220419	Sleeve Retainer	Stock	n/a	P&D on R
32		M9230983	Spring Guide - Servo Piston	Stock	n/a	P&D on R
33		M95104230003	End Cap Bearing Shim Kit	Stock	n/a	P&D on R
34		M90096250109	Washer	Stock	n/a	P&D on R
35		M9802412	Orifice - .025	Stock	n/a	P&D on R
35		M9801202	Orifice - .036	Stock	n/a	P&D on R
35		M9801094	Orifice - .042	Stock	n/a	P&D on R
35		M9801254	Orifice - .052	Stock	n/a	P&D on R
35		M9802564	Orifice - .060	Stock	n/a	P&D on R
36		M9800917	Spacer	P&D on R	n/a	P&D on R
37		M9803418	Control Handle	n/a	n/a	Stock
38		M6890181	Lifting Eye	Stock	n/a	P&D on R
41		M9803340	Control Valve Gasket	Stock	n/a	P&D on R
42		M9801235	Charge Pump Gasket	Stock	n/a	P&D on R
43		M95104220003	Trunnion Bearing Shim Kit	Stock	n/a	P&D on R
44		M9221337	End Cap Gasket	Stock	n/a	P&D on R
45		M9221528	Front Cover Gasket	Stock	n/a	P&D on R
47		M9220242	Seal Retainer Spring	Stock	n/a	P&D on R
48		M9230583	Servo Spring	Stock	n/a	P&D on R
49		M90035602500	Control Handle Nut	Stock	n/a	P&D on R
51		M90051004400	Housing Plug	Stock	n/a	P&D on R
54		M90072002530	Control Mounting Bolt	Stock	n/a	P&D on R
55		M90072002536	12.3 cm3 (.75) Charge Pump Mounting Bolt	Stock	n/a	P&D on R
55		M90072002540	18.3 cm3 (1.1) Charge Pump Mounting Bolt	Stock	n/a	P&D on R
57		M90072003722	Front Cover Bolt	Stock	n/a	P&D on R

General PV-22 Replacement Parts Listing Cont.

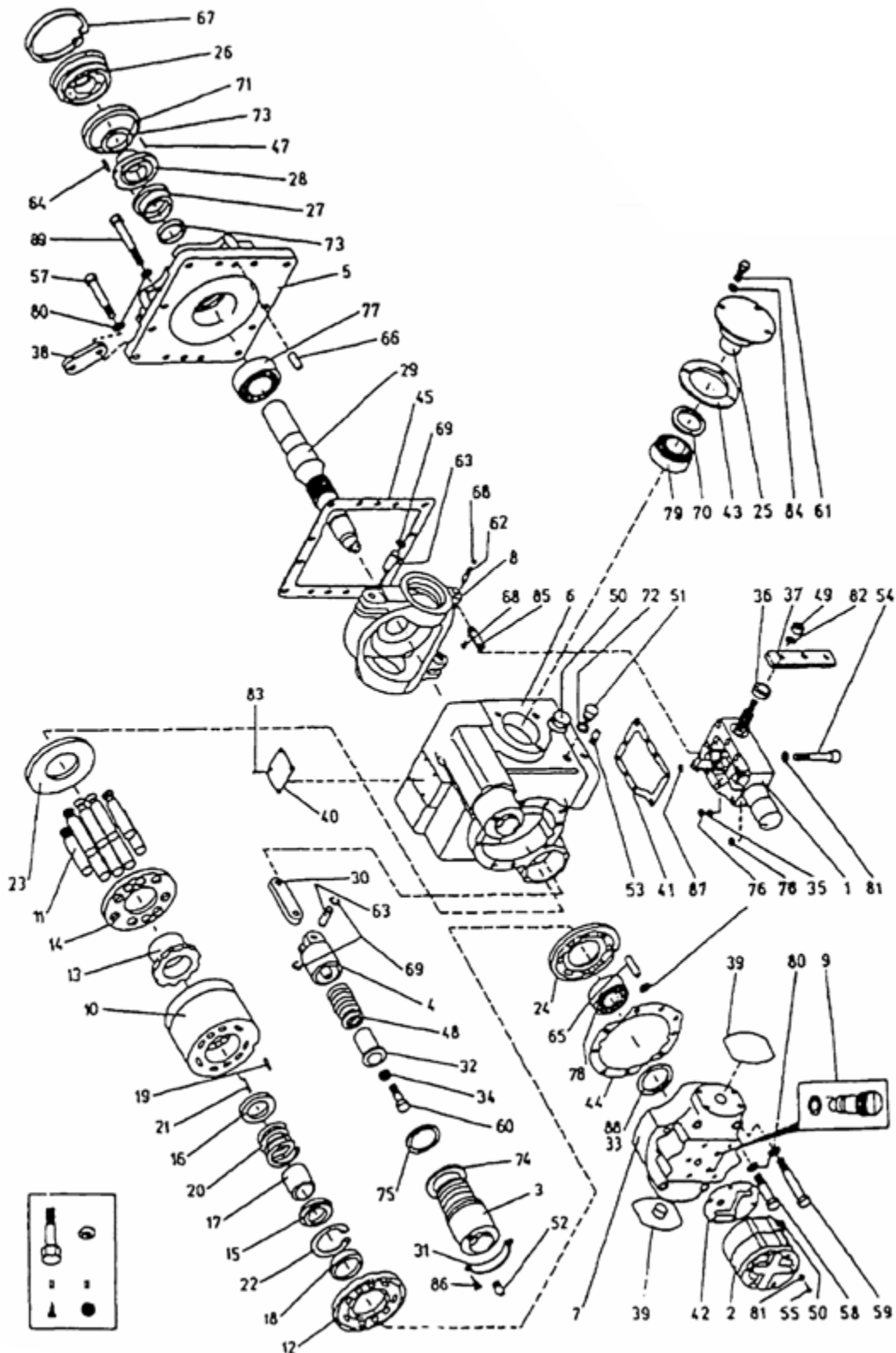
P&D on R = Price & Delivery on Request

Item #	Part #	Reference #	Description	Availability		
				Genuine Metaris	Hydralex Reman*	OEM
58		M90072003728	End Cap Screw Short	Stock	n/a	P&D on R
59		M90072003736	End Cap Screw Long	Stock	n/a	P&D on R
60		M90072760049	Servo Piston Spring Bolt	Stock	n/a	P&D on R
61		M90072003712	Trunnion Bolt	Stock	n/a	P&D on R
62		M9802396	Pin - Swash Plate Feedback Link	Stock	n/a	P&D on R
63		M90048300010	Pin - Servo Piston Link	Stock	n/a	P&D on R
65		M90048003110	End Cap Dowel Pin	n/a	n/a	Stock
66		M90048003708	Front Cover Dowel Pin	n/a	n/a	Stock
67		M90062010334	Shaft Seal Retaining Ring	Stock	n/a	P&D on R
68		M90063260025	Swashplate Retaining Ring	Stock	n/a	P&D on R
69		M90063000062	Servo Piston Pin Retaining Ring	Stock	n/a	P&D on R
70		M90041002300	Trunnion Cover O-Ring	Stock	n/a	P&D on R
71		M90041002340	Shaft Seal Retainer O-Ring	Stock	n/a	P&D on R
72		M90041010120	Housing Plug O-Ring	Stock	n/a	P&D on R
73		M90041041290	Rotating Seal O-Ring	Stock	n/a	P&D on R
74		M90041001430	Servo Sleeve O-Ring Large	Stock	n/a	P&D on R
75		M90041001410	Servo Sleeve O-Ring Small	Stock	n/a	P&D on R
76		M90041010140	Orifice O-Ring	Stock	n/a	P&D on R
77		M9510256	Front Bearing - Main Shaft	Stock	n/a	P&D on R
78		M9510255	Rear Bearing - End Cap	Stock	n/a	P&D on R
79		M9510257	Trunnion Bearing	Stock	n/a	P&D on R
80		M90096104069	Front cover bolt Washer	Stock	n/a	P&D on R
81		M90096102850	Control Bolt Washer	Stock	n/a	P&D on R
82		M90096602500	Control Handle Star Washer	Stock	n/a	P&D on R
84		M90096104049	Trunnion Bolt Washer	Stock	n/a	P&D on R
85		M9802016	Swashplate Feedback Link	Stock	n/a	P&D on R
86		M90072760011	Servo Sleeve Lock Torx Head Screw	Stock	n/a	P&D on R
		M9510230	Pump Gasket Kit (Seal Kit)	Stock	n/a	P&D on R
		M9510230OL	Open Loop Pump Gasket Kit (Seal Kit)	Stock	n/a	P&D on R

*Hydralex Global will purchase some reman parts cores back for a credit toward your account. If interested, please speak with your customer service representative for credit amounts. Parts must be in rebuildable/reworkable condition.

General

PV-23 Component Breakdown



General PV-23 Replacement Parts Listing

P&D on R = Price & Delivery on Request

Item #	Part #	Reference #	Description	Availability		
				Genuine Metaris	Hydralex Reman*	OEM
1		M95103682001	MH STD SERVO VALVE	Stock	Stock	P&D on R
1		M95103692002	MC SERVO VALVE w POR	Stock	Stock	P&D on R
1		M11013664	HDC HYDRAULIC SERVO VALVE w/o Link Kit (MMCV106A6901)	Stock	Stock	P&D on R
1		M11018280	HDC/POR Hydraulic Servo Valve w/ POR w/o Link Kit (MMCV106A8901)	Stock	Stock	P&D on R
2		M95103650003	Charge Pump Assembly 12.3 cm3 (.75) (CW)	Stock	Stock	P&D on R
2		M95103650004	Charge Pump Assembly 12.3 cm3 (.75) (CCW)	Stock	Stock	P&D on R
2		M95103650013	Charge Pump Assembly 18.3 cm3 (1.1) (CW)	Stock	Stock	P&D on R
2		M95103650014	Charge Pump Assembly 18.3 cm3 (1.1) (CCW)	Stock	Stock	P&D on R
3		M9221149	Servo Sleeve	Stock	Stock	P&D on R
4		M9221012	Servo Piston	Stock	Stock	P&D on R
5		M9230128	Front Cover	P&D on R	Stock	P&D on R
6		M9230783	Pump Housing	P&D on R	Stock	P&D on R
7		M9230578	End Cap (code 61)	P&D on R	Stock	P&D on R
7		M9230593	End Cap (code 62)	P&D on R	Stock	P&D on R
8		M9230225	Swash Plate	Stock	Stock	P&D on R
9		M9800648	Check Valve	Stock	n/a	P&D on R
10		M9230651	Cylinder Barrel	Stock	Stock	P&D on R
11		M95104080002	Piston Assembly (Set of 3)	Stock	Stock	P&D on R
12		M9230881	Bearing Plate	Stock	n/a	P&D on R
13		M9230158	Retainer (Ball) Guide	Stock	n/a	P&D on R
14		M9230234	Slipper Retainer (Set Plate)	Stock	n/a	P&D on R
15		M9230014	Spring Retainer	P&D on R	n/a	P&D on R
16		M9230013	Spring Seat	P&D on R	n/a	P&D on R
17		M9230015	Spring Guide	Stock	n/a	P&D on R
18		M9230707	Bearing Plate Pilot	P&D on R	n/a	P&D on R
19		M9240217	Pin	Stock	n/a	P&D on R
20		M9230974	Cylinder Barrel Spring	Stock	n/a	P&D on R
21		M9230655	Retainer (Ball Guide) Spring - 6SP Type	Stock	n/a	P&D on R
22		M90062500250	Retaining Ring	P&D on R	n/a	P&D on R
23		M9230235	Thrust Plate (Shoe Plate)	Stock	n/a	P&D on R
24		M9230560	Valve Plate (CW)	Stock	n/a	P&D on R
24		M9230561	Valve Plate (CCW)	Stock	n/a	P&D on R
25		M9230018	Trunnion	P&D on R	Stock	P&D on R
		M9510190	Shaft Seal Kit	Stock	n/a	P&D on R

General

PV-23 Replacement Parts Listing Cont.

P&D on R = Price & Delivery on Request

Item #	Part #	Reference #	Description	Availability		
				Genuine Metaris	Hydralex Reman*	OEM
26		M9240093	Seal retainer	Stock	n/a	P&D on R
27		M9240086	Rotating Seal	Stock	n/a	P&D on R
28		M9240092	Stationary Seal	Stock	n/a	P&D on R
29		M9230325	Drive Shaft - 21T Gear Charge Pump	Stock	n/a	P&D on R
29		M9230476	Drive Shaft - 14T Gear Charge Pump	Stock	n/a	P&D on R
29		M9230445	Drive Shaft - 1.375 Tapered w/ .375 woodruff (Gear Charge Pump)	Stock	n/a	P&D on R
29		M9230173	Drive Shaft - 23T Gear Charge Pump	Stock	n/a	P&D on R
29		M9230147	Drive Shaft - 27T Gear Charge Pump	P&D on R	n/a	P&D on R
29		M9230626	Drive Shaft - 1.750 Str. Key w/ .375 Keyway (Gear Charge Pump)	Stock	n/a	P&D on R
30		M9230600	Servo Link	Stock	n/a	P&D on R
31		M9220419	Sleeve Retainer	Stock	n/a	P&D on R
32		M9220479	Spring Guide - Servo Piston	Stock	n/a	P&D on R
33		M95104230004	End Cap Bearing Shim Kit	Stock	n/a	P&D on R
34		M90096250034	Washer	Stock	n/a	P&D on R
35		M9802412	Orifice - .025	Stock	n/a	P&D on R
35		M9801202	Orifice - .036	Stock	n/a	P&D on R
35		M9801094	Orifice - .042	Stock	n/a	P&D on R
35		M9801254	Orifice - .052	Stock	n/a	P&D on R
35		M9802564	Orifice - .060	Stock	n/a	P&D on R
36		M9800917	Spacer	P&D on R	n/a	P&D on R
37		M9803418	Control Handle	n/a	n/a	Stock
38		M6890180	Lifting Eye	Stock	n/a	P&D on R
41		M9803340	Control Valve Gasket	Stock	n/a	P&D on R
42		M9801235	Charge Pump Gasket	Stock	n/a	P&D on R
43		M95104220004	Trunnion Bearing Shim Kit	Stock	n/a	P&D on R
44		M9230127	End Cap Gasket	Stock	n/a	P&D on R
45		M9230124	Front Cover Gasket	Stock	n/a	P&D on R
47		M9220242	Seal Retainer Spring	Stock	n/a	P&D on R
48		M9230583	Servo Spring	Stock	n/a	P&D on R
49		M90035602500	Control Handle Nut	Stock	n/a	P&D on R
51		M90051004400	Housing Plug	Stock	n/a	P&D on R
54		M90072002530	Control Mounting Bolt	Stock	n/a	P&D on R
55		M90072002536	12.3 cm3 (.75) Charge Pump Mounting Bolt	Stock	n/a	P&D on R
55		M90072002540	18.3 cm3 (1.1) Charge Pump Mounting Bolt	Stock	n/a	P&D on R
57		M90072004424	Front Cover Bolt	Stock	n/a	P&D on R

General

PV-23 Replacement Parts Listing Cont.

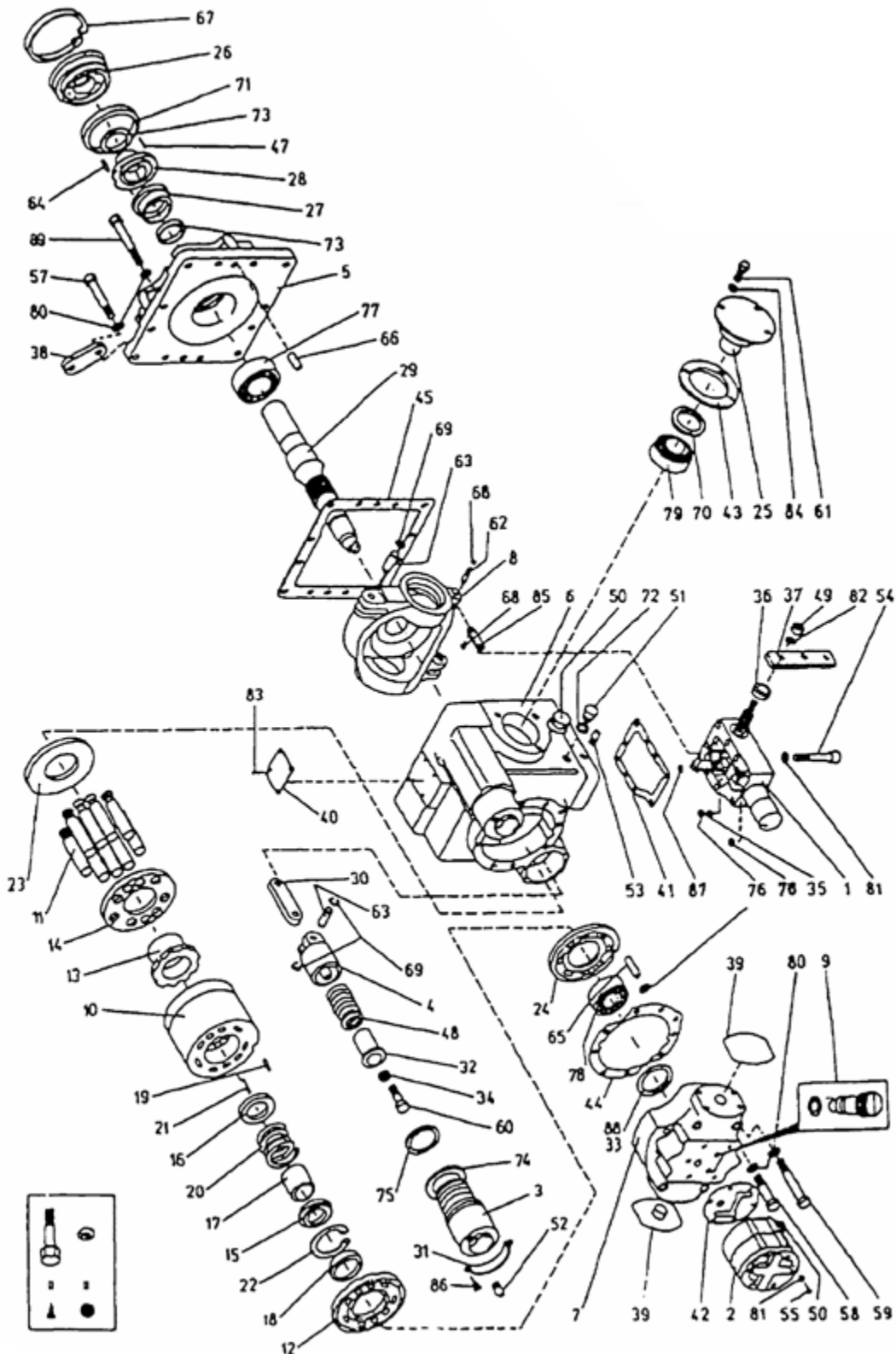
P&D on R = Price & Delivery on Request

Item #	Part #	Reference #	Description	Availability		
				Genuine Metaris	Hydralex Reman*	OEM
58		M90072004430	End Cap Screw Short	Stock	n/a	P&D on R
59		M90072004438	End Cap Screw Long	Stock	n/a	P&D on R
60		M90072760049	Servo Piston Spring Bolt	Stock	n/a	P&D on R
61		M90072004416	Trunnion Bolt	Stock	n/a	P&D on R
62		M9802396	Pin - Swash Plate Feedback Link	Stock	n/a	P&D on R
63		M90048300010	Pin - Servo Piston Link	Stock	n/a	P&D on R
65		M90048003110	End Cap Dowel Pin	n/a	n/a	Stock
66		M90048003708	Front Cover Dowel Pin	n/a	n/a	Stock
67		M90062010387	Shaft Seal Retaining Ring	Stock	n/a	P&D on R
68		M90063260025	Swashplate Retaining Ring	Stock	n/a	P&D on R
69		M90063000062	Servo Piston Pin Retaining Ring	Stock	n/a	P&D on R
70		M90041002320	Trunnion Cover O-Ring	Stock	n/a	P&D on R
71		M90041002380	Shaft Seal Retainer O-Ring	Stock	n/a	P&D on R
72		M90041010120	Housing Plug O-Ring	Stock	n/a	P&D on R
73		M90041041360	Rotating Seal O-Ring	Stock	n/a	P&D on R
74		M90041001430	Servo Sleeve O-Ring Large	Stock	n/a	P&D on R
75		M90041001410	Servo Sleeve O-Ring Small	Stock	n/a	P&D on R
76		M90041010140	Orifice O-Ring	Stock	n/a	P&D on R
77		M9510259	Front Bearing - Main Shaft	Stock	n/a	P&D on R
78		M9510258	Rear Bearing - End Cap	Stock	n/a	P&D on R
79		M9510260	Trunnion Bearing	Stock	n/a	P&D on R
80		M90096104778	Front cover bolt Washer	Stock	n/a	P&D on R
81		M90096102850	Control Bolt Washer	Stock	n/a	P&D on R
82		M90096602500	Control Handle Star Washer	Stock	n/a	P&D on R
84		M90096104778	Trunnion Bolt Washer	Stock	n/a	P&D on R
85		M9802016	Swashplate Feedback Link	Stock	n/a	P&D on R
86		M90072760011	Servo Sleeve Lock Torx Head Screw	Stock	n/a	P&D on R
		M9510233	Pump Gasket Kit (Seal Kit)	Stock	n/a	P&D on R
		M9510233OL	Open Loop Pump Gasket Kit (Seal Kit)	Stock	n/a	P&D on R

*Hydralex Global will purchase some reman parts cores back for a credit toward your account. If interested, please speak with your customer service representative for credit amounts. Parts must be in rebuildable/reworkable condition.

General

PV-24 Component Breakdown



General PV-24 Replacement Parts Listing

P&D on R = Price & Delivery on Request

Item #	Part #	Reference #	Description	Availability		
				Genuine Metaris	Hydralex Reman*	OEM
1		M95103682001	MH STD SERVO VALVE	Stock	Stock	P&D on R
1		M95103692008	MC SERVO VALVE w POR	Stock	Stock	P&D on R
1		M11013664	HDC HYDRAULIC SERVO VALVE w/o Link Kit (MMCV106A6901)	Stock	Stock	P&D on R
1		M11018280	HDC/POR Hydraulic Servo Valve w/ POR w/o Link Kit (MMCV106A8901)	Stock	Stock	P&D on R
2		M951066524RF	Charge Pump Assembly 32.8 cm3 (2.0) (CW)	Stock	Stock	P&D on R
2		M951066524LF	Charge Pump Assembly 32.8 cm3 (2.0) (CCW)	Stock	Stock	P&D on R
2		M95106664RK	Charge Pump Assembly 65.5 cm3 (4.0) (CW)	Stock	Stock	P&D on R
2		M95106664LK	Charge Pump Assembly 65.5 cm3 (4.0) (CCW)	Stock	Stock	P&D on R
3		M9240356	Servo Sleeve	Stock	Stock	P&D on R
4		M9240236	Servo Piston	Stock	Stock	P&D on R
5		M9240069	Front Cover	P&D on R	Stock	P&D on R
6		M9240461	Pump Housing	P&D on R	Stock	P&D on R
7		M9240283	End Cap (code 61)	P&D on R	Stock	P&D on R
7		M9240271	End Cap (code 62)	P&D on R	Stock	P&D on R
8		M9240197	Swash Plate	Stock	Stock	P&D on R
9		M9800687	Check Valve	P&D on R	n/a	P&D on R
10		M9240394	Cylinder Barrel	Stock	Stock	P&D on R
11		M95104080004	Piston Assembly (Set of 3)	Stock	Stock	P&D on R
12		M9240560	Bearing Plate	Stock	n/a	P&D on R
13		M9240097	Retainer (Ball) Guide	Stock	n/a	P&D on R
14		M9240125	Slipper Retainer (Set Plate)	Stock	n/a	P&D on R
15		M9240014	Spring Retainer	P&D on R	n/a	P&D on R
16		M9240013	Spring Seat	P&D on R	n/a	P&D on R
17		M9240015	Spring Guide	Stock	n/a	P&D on R
18		M9240135	Bearing Plate Pilot	P&D on R	n/a	P&D on R
19		M9240217	Pin	Stock	n/a	P&D on R
20		M9240518	Cylinder Barrel Spring	P&D on R	n/a	P&D on R
21		M9240393	Retainer (Ball Guide) Spring - 6SP Type	Stock	n/a	P&D on R
22		M90062500275	Retaining Ring	P&D on R	n/a	P&D on R
23		M9240124	Thrust Plate (Shoe Plate)	Stock	n/a	P&D on R
24		M9240277	Valve Plate (CW)	Stock	n/a	P&D on R
24		M9240278	Valve Plate (CCW)	Stock	n/a	P&D on R
25		M9240018	Trunnion	P&D on R	Stock	P&D on R
		M9510190	Shaft Seal Kit	Stock	n/a	P&D on R

General

PV-24 Replacement Parts Listing Cont.

P&D on R = Price & Delivery on Request

Item #	Part #	Reference #	Description	Availability		
				Genuine Metaris	Hydralex Reman*	OEM
26		M9240093	Seal retainer	Stock	n/a	P&D on R
27		M9240086	Rotating Seal	Stock	n/a	P&D on R
28		M9240092	Stationary Seal	Stock	n/a	P&D on R
29		M9240736	Drive Shaft - 27T Gear Charge Pump	Stock	n/a	P&D on R
29		M9240316	Drive Shaft - 1.750 Str. Key w/ .375 Keyway (Gear Charge Pump)	Stock	n/a	P&D on R
29		M9240215	Drive Shaft - 13T Gear Charge Pump	Stock	n/a	P&D on R
29		M9240231	Drive Shaft - 1.750 Tapered w/ .437 woodruff (Gear Charge Pump)	Stock	n/a	P&D on R
30		M9240081	Servo Link	Stock	n/a	P&D on R
31		M9240076	Sleeve Retainer	n/a	n/a	Stock
32		M9240087	Spring Guide - Servo Piston	P&D on R	n/a	P&D on R
33		M95104230005	End Cap Bearing Shim Kit	Stock	n/a	P&D on R
34		M90096253801	Washer	Stock	n/a	P&D on R
35		M9802412	Orifice - .025	Stock	n/a	P&D on R
35		M9801202	Orifice - .036	Stock	n/a	P&D on R
35		M9801094	Orifice - .042	Stock	n/a	P&D on R
35		M9801254	Orifice - .052	Stock	n/a	P&D on R
35		M9802564	Orifice - .060	Stock	n/a	P&D on R
36		M9800917	Spacer	P&D on R	n/a	P&D on R
37		M9803418	Control Handle	n/a	n/a	Stock
38		M6890180	Lifting Eye	Stock	n/a	P&D on R
41		M9803340	Control Valve Gasket	Stock	n/a	P&D on R
42		M9801604	Charge Pump Gasket	Stock	n/a	P&D on R
43		M95104220005	Trunnion Bearing Shim Kit	Stock	n/a	P&D on R
44		M9240549	End Cap Gasket	Stock	n/a	P&D on R
45		M9240741	Front Cover Gasket	Stock	n/a	P&D on R
47		M9220242	Seal Retainer Spring	Stock	n/a	P&D on R
48		M9250400	Servo Spring	P&D on R	n/a	P&D on R
49		M90035602500	Control Handle Nut	Stock	n/a	P&D on R
51		M90051004400	Housing Plug	Stock	n/a	P&D on R
54		M90072002530	Control Mounting Bolt	Stock	n/a	P&D on R
55		M90072003752	32.8 cm3 (2.0) Charge Pump Mounting Bolt	Stock	n/a	P&D on R
55		M90072003744	65.5 cm3 (4.0) Charge Pump Mounting Bolt	Stock	n/a	P&D on R
57		M90072005026	Front Cover Bolt	Stock	n/a	P&D on R
58		M90075005044	End Cap Screw Short	Stock	n/a	P&D on R
59		M90072005042	End Cap Screw Long	Stock	n/a	P&D on R

General

PV-24 Replacement Parts Listing Cont.

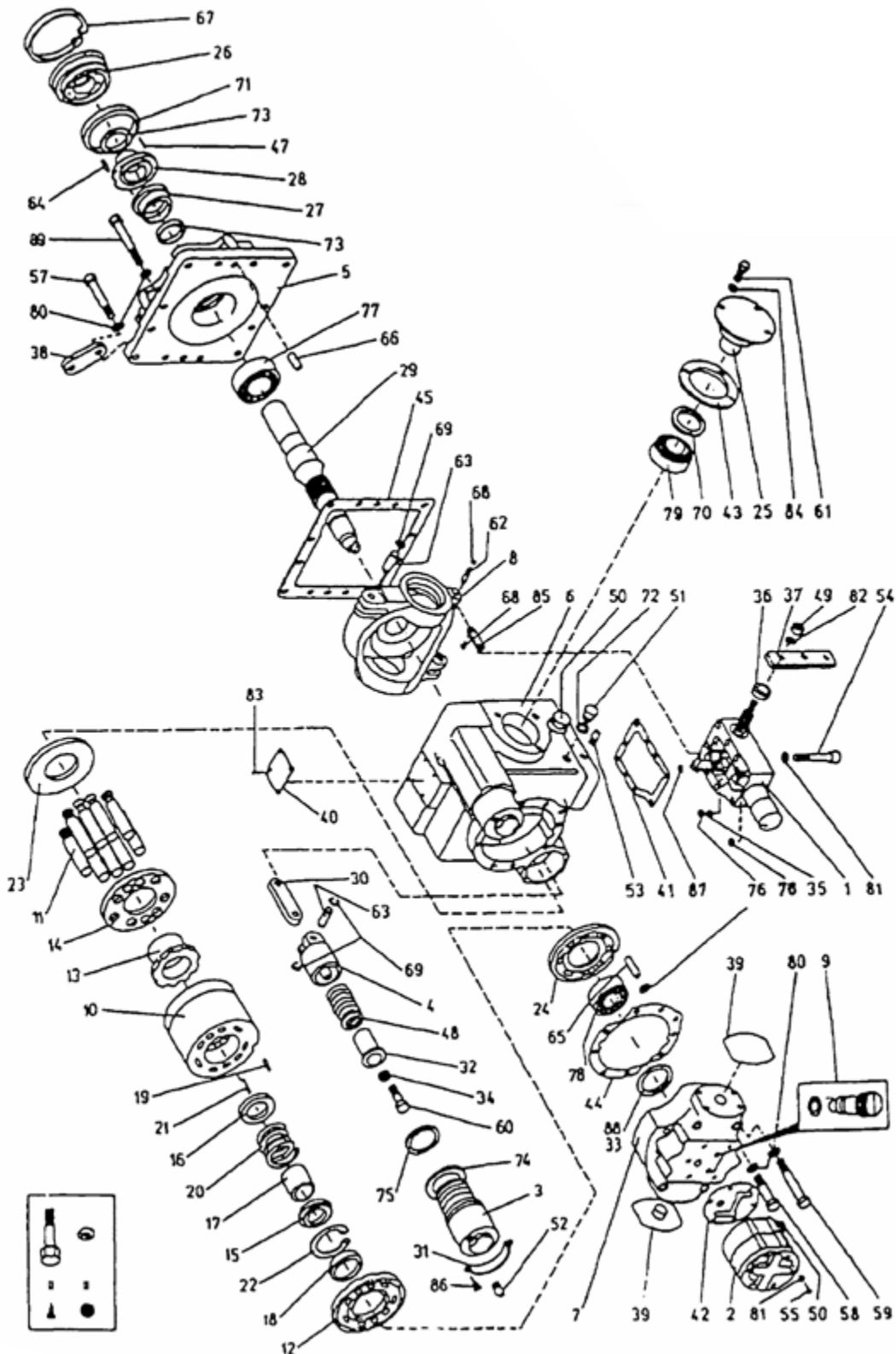
P&D on R = Price & Delivery on Request

Item #	Part #	Reference #	Description	Availability		
				Genuine Metaris	Hydralex Reman*	OEM
60		M90072760050	Servo Piston Spring Bolt	Stock	n/a	P&D on R
61		M90072005022	Trunnion Bolt	Stock	n/a	P&D on R
62		M9802396	Pin - Swash Plate Feedback Link	Stock	n/a	P&D on R
63		M90048300008	Pin - Servo Piston Link	Stock	n/a	P&D on R
65		M90048003110	End Cap Dowel Pin	n/a	n/a	Stock
66		M90048003708	Front Cover Dowel Pin	n/a	n/a	Stock
67		M90062010387	Shaft Seal Retaining Ring	Stock	n/a	P&D on R
68		M90063260025	Swashplate Retaining Ring	Stock	n/a	P&D on R
69		M90063000075	Servo Piston Pin Retaining Ring	Stock	n/a	P&D on R
70		M90041002340	Trunnion Cover O-Ring	Stock	n/a	P&D on R
71		M90041002380	Shaft Seal Retainer O-Ring	Stock	n/a	P&D on R
72		M90041010120	Housing Plug O-Ring	Stock	n/a	P&D on R
73		M90041041360	Rotating Seal O-Ring	Stock	n/a	P&D on R
74		M90041001510	Servo Sleeve O-Ring Large	Stock	n/a	P&D on R
75		M90041001500	Servo Sleeve O-Ring Small	Stock	n/a	P&D on R
76		M90041010140	Orifice O-Ring	Stock	n/a	P&D on R
77		M9510259	Front Bearing - Main Shaft	Stock	n/a	P&D on R
78		M9510261	Rear Bearing - End Cap	Stock	n/a	P&D on R
79		M9510262	Trunnion Bearing	Stock	n/a	P&D on R
80		M90096105387	Front cover bolt Washer	Stock	n/a	P&D on R
81		M90096102850	Control Bolt Washer	Stock	n/a	P&D on R
82		M90096602500	Control Handle Star Washer	Stock	n/a	P&D on R
84		M90096105387	Trunnion Bolt Washer	Stock	n/a	P&D on R
85		M9800245	Swashplate Feedback Link	P&D on R	n/a	P&D on R
86		M90072760011	Servo Sleeve Lock Torx Head Screw	Stock	n/a	P&D on R
		M9510236	Pump Gasket Kit (Seal Kit)	Stock	n/a	P&D on R
		M9510236OL	Open Loop Pump Gasket Kit (Seal Kit)	Stock	n/a	P&D on R

*Hydralex Global will purchase some reman parts cores back for a credit toward your account. If interested, please speak with your customer service representative for credit amounts. Parts must be in rebuildable/reworkable condition.

General

PV-25 Component Breakdown



General PV-25 Replacement Parts Listing

P&D on R = Price & Delivery on Request

Item #	Part #	Reference #	Description	Availability		
				Genuine Metaris	Hydralex Reman*	OEM
1		M95103682006	MH STD SERVO VALVE	Stock	Stock	P&D on R
1		M95103692009	MC SERVO VALVE w POR	Stock	Stock	P&D on R
1		M11013664	HDC HYDRAULIC SERVO VALVE w/o Link Kit (MMCV106A6901)	Stock	Stock	P&D on R
1		M11018280	HDC/POR Hydraulic Servo Valve w/ POR w/o Link Kit (MMCV106A8901)	Stock	Stock	P&D on R
2		M951066525RF	Charge Pump Assembly 32.8 cm3 (2.0) (CW)	Stock	Stock	P&D on R
2		M951066525LF	Charge Pump Assembly 32.8 cm3 (2.0) (CCW)	Stock	Stock	P&D on R
2		M95106665RK	Charge Pump Assembly 65.5 cm3 (4.0) (CW)	Stock	Stock	P&D on R
2		M95106665LK	Charge Pump Assembly 65.5 cm3 (4.0) (CCW)	Stock	Stock	P&D on R
3		M9240356	Servo Sleeve	Stock	Stock	P&D on R
4		M9240236	Servo Piston	Stock	Stock	P&D on R
5		M9250156	Front Cover	P&D on R	Stock	P&D on R
6		M9250524	Pump Housing	P&D on R	Stock	P&D on R
7		M9250480	End Cap (code 62)	P&D on R	Stock	P&D on R
8		M9250164	Swash Plate	Stock	Stock	P&D on R
9		M9802028	Check Valve	P&D on R	n/a	P&D on R
10		M9250470	Cylinder Barrel	Stock	Stock	P&D on R
11		M95104080005	Piston Assembly (Set of 3)	Stock	Stock	P&D on R
12		M9250627	Bearing Plate	Stock	n/a	P&D on R
13		M9250073	Retainer (Ball) Guide	Stock	n/a	P&D on R
14		M9250170	Slipper Retainer (Set Plate)	Stock	n/a	P&D on R
15		M9250179	Spring Retainer	P&D on R	n/a	P&D on R
16		M9250013	Spring Seat	P&D on R	n/a	P&D on R
17		M9250015	Spring Guide	P&D on R	n/a	P&D on R
18		M9250628	Bearing Plate Pilot	Stock	n/a	P&D on R
19		M9240217	Pin	Stock	n/a	P&D on R
20		M9250676	Cylinder Barrel Spring	P&D on R	n/a	P&D on R
21		M9250471	Retainer (Ball Guide) Spring - 6SP Type	Stock	n/a	P&D on R
22		M90062500314	Retaining Ring	P&D on R	n/a	P&D on R
23		M9250171	Thrust Plate (Shoe Plate)	Stock	n/a	P&D on R
24		M9250652	Valve Plate (CW)	Stock	n/a	P&D on R
24		M9250653	Valve Plate (CCW)	Stock	n/a	P&D on R
25		M9250018	Trunnion	P&D on R	Stock	P&D on R
		M9510190	Shaft Seal Kit	Stock	n/a	P&D on R
26		M9240093	Seal retainer	Stock	n/a	P&D on R

General

PV-25 Replacement Parts Listing Cont.

P&D on R = Price & Delivery on Request

Item #	Part #	Reference #	Description	Availability		
				Genuine Metaris	Hydralex Reman*	OEM
27		M9240086	Rotating Seal	Stock	n/a	P&D on R
28		M9240092	Stationary Seal	Stock	n/a	P&D on R
29		M9250713	Drive Shaft - 27T Gear Charge Pump	Stock	n/a	P&D on R
29		M9250409	Drive Shaft - 1.750 Str. Key w/ .375 Keyway (Gear Charge Pump)	Stock	n/a	P&D on R
29		M9250327	Drive Shaft - 13T Gear Charge Pump	Stock	n/a	P&D on R
30		M9250149	Servo Link	Stock	n/a	P&D on R
31		M9240076	Sleeve Retainer	n/a	n/a	Stock
32		M9240087	Spring Guide - Servo Piston	P&D on R	n/a	P&D on R
33		M95104230006	End Cap Bearing Shim Kit	Stock	n/a	P&D on R
34		M90096253801	Washer	Stock	n/a	P&D on R
35		M9802412	Orifice - .025	Stock	n/a	P&D on R
35		M9801202	Orifice - .036	Stock	n/a	P&D on R
35		M9801094	Orifice - .042	Stock	n/a	P&D on R
35		M9801254	Orifice - .052	Stock	n/a	P&D on R
35		M9802564	Orifice - .060	Stock	n/a	P&D on R
36		M9800917	Spacer	P&D on R	n/a	P&D on R
37		M9803418	Control Handle	n/a	n/a	Stock
38		M6890180	Lifting Eye	Stock	n/a	P&D on R
41		M9803340	Control Valve Gasket	Stock	n/a	P&D on R
42		M9801604	Charge Pump Gasket	Stock	n/a	P&D on R
43		M95104220006	Trunnion Bearing Shim Kit	Stock	n/a	P&D on R
44		M9250587	End Cap Gasket	Stock	n/a	P&D on R
45		M9250158	Front Cover Gasket	Stock	n/a	P&D on R
47		M9220242	Seal Retainer Spring	Stock	n/a	P&D on R
48		M9250400	Servo Spring	Stock	n/a	P&D on R
49		M90035602500	Control Handle Nut	Stock	n/a	P&D on R
51		M90051004400	Housing Plug	Stock	n/a	P&D on R
54		M90072002530	Control Mounting Bolt	Stock	n/a	P&D on R
55		M90072003752	32.8 cm3 (2.0) Charge Pump Mounting Bolt	Stock	n/a	P&D on R
55		M90072003744	65.5 cm3 (4.0) Charge Pump Mounting Bolt	Stock	n/a	P&D on R
57		M90072005026	Front Cover Bolt	Stock	n/a	P&D on R
58		M90072006238	End Cap Screw Short	Stock	n/a	P&D on R
59		M90072006248	End Cap Screw Long	Stock	n/a	P&D on R
60		M90072760054	Servo Piston Spring Bolt	Stock	n/a	P&D on R
61		M90072006221	Trunnion Bolt	Stock	n/a	P&D on R
62		M9802396	Pin - Swash Plate Feedback Link	Stock	n/a	P&D on R

General

PV-25 Replacement Parts Listing Cont.

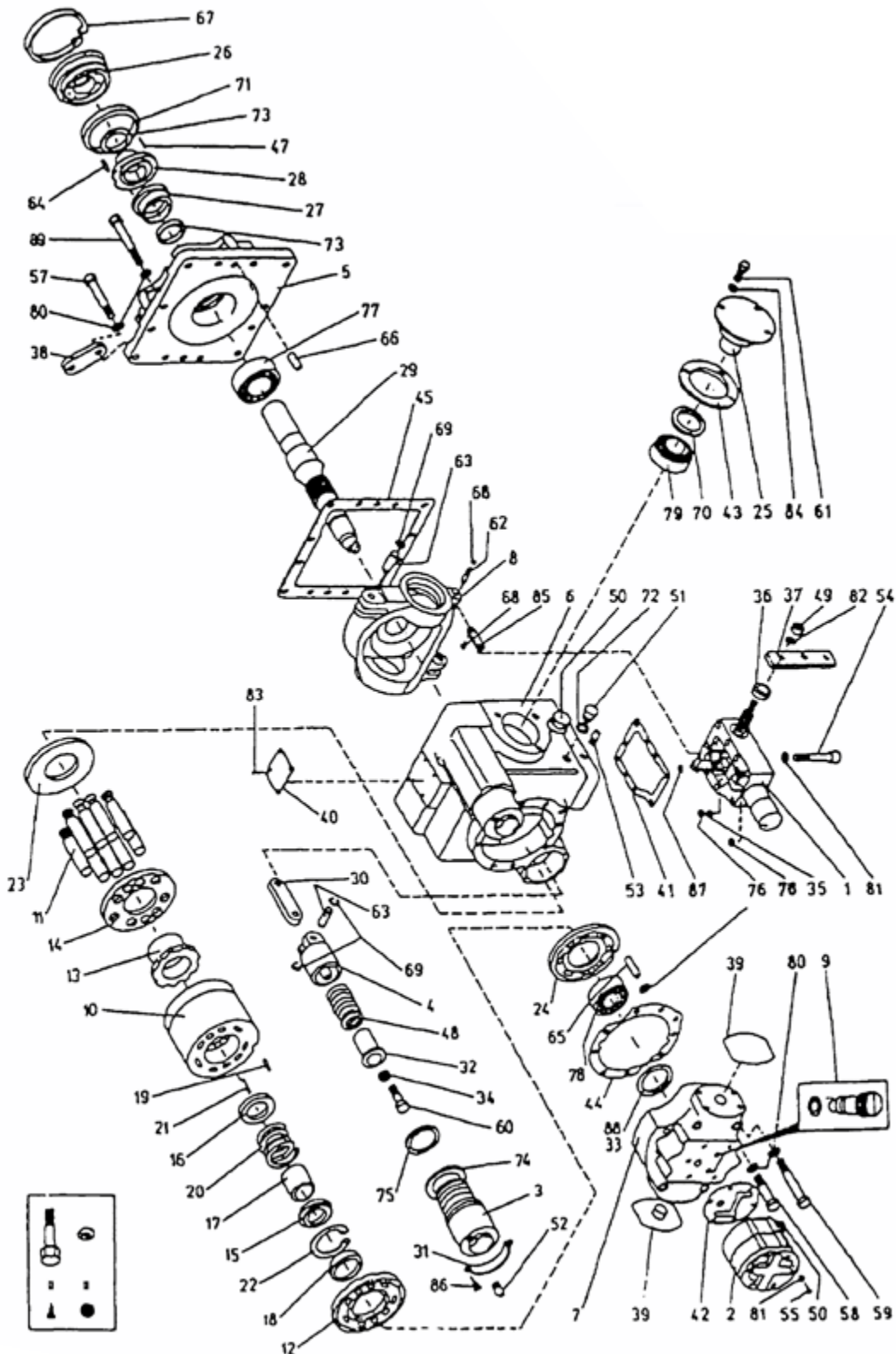
P&D on R = Price & Delivery on Request

Item #	Part #	Reference #	Description	Availability		
				Genuine Metaris	Hydralex Reman*	OEM
63		M90048300008	Pin - Servo Piston Link	Stock	n/a	P&D on R
65		M90048003110	End Cap Dowel Pin	n/a	n/a	Stock
66		M90048003708	Front Cover Dowel Pin	n/a	n/a	Stock
67		M90062010387	Shaft Seal Retaining Ring	Stock	n/a	P&D on R
68		M90063260025	Swashplate Retaining Ring	Stock	n/a	P&D on R
69		M90063000075	Servo Piston Pin Retaining Ring	Stock	n/a	P&D on R
70		M90041002360	Trunnion Cover O-Ring	Stock	n/a	P&D on R
71		M90041002380	Shaft Seal Retainer O-Ring	Stock	n/a	P&D on R
72		M90041010120	Housing Plug O-Ring	Stock	n/a	P&D on R
73		M90041041360	Rotating Seal O-Ring	Stock	n/a	P&D on R
74		M90041001510	Servo Sleeve O-Ring Large	Stock	n/a	P&D on R
75		M90041001500	Servo Sleeve O-Ring Small	Stock	n/a	P&D on R
76		M90041010140	Orifice O-Ring	Stock	n/a	P&D on R
77		M9510264	Front Bearing - Main Shaft	Stock	n/a	P&D on R
78		M9510263	Rear Bearing - End Cap	Stock	n/a	P&D on R
79		M9510265	Trunnion Bearing	Stock	n/a	P&D on R
80		M90096105387	Front cover bolt Washer	Stock	n/a	P&D on R
81		M90096102850	Control Bolt Washer	Stock	n/a	P&D on R
82		M90096602500	Control Handle Star Washer	Stock	n/a	P&D on R
84		M90096106690	Trunnion Bolt Washer	Stock	n/a	P&D on R
85		M9802754	Swashplate Feedback Link	P&D on R	n/a	P&D on R
86		M90072760011	Servo Sleeve Lock Torx Head Screw	Stock	n/a	P&D on R
		M9510239	Pump Gasket Kit (Seal Kit)	Stock	n/a	P&D on R
		M9510239OL	Open Loop Pump Gasket Kit (Seal Kit)	Stock	n/a	P&D on R

*Hydralex Global will purchase some reman parts cores back for a credit toward your account. If interested, please speak with your customer service representative for credit amounts. Parts must be in rebuildable/reworkable condition.

General

PV-26 Component Breakdown



General PV-26 Replacement Parts Listing

P&D on R = Price & Delivery on Request

Item #	Part #	Reference #	Description	Availability		
				Genuine Metaris	Hydralex Reman*	OEM
1		M95103682006	MH STD SERVO VALVE	Stock	Stock	P&D on R
1		M95103692009	MC SERVO VALVE w POR	Stock	Stock	P&D on R
1		M11013664	HDC HYDRAULIC SERVO VALVE w/o Link Kit (MMCV106A6901)	Stock	Stock	P&D on R
1		M11018280	HDC/POR Hydraulic Servo Valve w/ POR w/o Link Kit (MMCV106A8901)	Stock	Stock	P&D on R
2		M951066526RF	Charge Pump Assembly 32.8 cm3 (2.0) (CW)	Stock	Stock	P&D on R
2		M951066526LF	Charge Pump Assembly 32.8 cm3 (2.0) (CCW)	Stock	Stock	P&D on R
2		M95106666RK	Charge Pump Assembly 65.5 cm3 (4.0) (CW)	Stock	Stock	P&D on R
2		M95106666LK	Charge Pump Assembly 65.5 cm3 (4.0) (CCW)	Stock	Stock	P&D on R
3		M9260282	Servo Sleeve	Stock	Stock	P&D on R
4		M9270355	Servo Piston	Stock	Stock	P&D on R
5		M9260138	Front Cover	P&D on R	Stock	P&D on R
6		M9260280	Pump Housing	P&D on R	Stock	P&D on R
7		M9260235	End Cap (code 62)	P&D on R	Stock	P&D on R
8		M9260152	Swash Plate	Stock	Stock	P&D on R
9		M9802028	Check Valve	P&D on R	n/a	P&D on R
10		M9260231	Cylinder Barrel	Stock	Stock	P&D on R
11		M95104080006	Piston Assembly (Set of 3)	Stock	Stock	P&D on R
12		M9260321	Bearing Plate	Stock	n/a	P&D on R
13		M9260047	Retainer (Ball) Guide	Stock	n/a	P&D on R
14		M9260072	Slipper Retainer (Set Plate)	Stock	n/a	P&D on R
15		M9260014	Spring Retainer	P&D on R	n/a	P&D on R
16		M9260013	Spring Seat	P&D on R	n/a	P&D on R
17		M9260015	Spring Guide	P&D on R	n/a	P&D on R
18		M9260358	Bearing Plate Pilot	Stock	n/a	P&D on R
19		M9260088	Pin	Stock	n/a	P&D on R
20		M9260326	Cylinder Barrel Spring	Stock	n/a	P&D on R
21		M9260232	Retainer (Ball Guide) Spring - 6SP Type	Stock	n/a	P&D on R
22		M90062500343	Retaining Ring	P&D on R	n/a	P&D on R
23		M9260073	Thrust Plate (Shoe Plate)	Stock	n/a	P&D on R
24		M9260355	Valve Plate (CW)	Stock	n/a	P&D on R
24		M9260356	Valve Plate (CCW)	Stock	n/a	P&D on R
25		M9260136	Trunnion	P&D on R	Stock	P&D on R
		M9510275	Shaft Seal Kit	Stock	n/a	P&D on R
26		M9260050	Seal retainer	Stock	n/a	P&D on R

General

PV-26 Replacement Parts Listing Cont.

P&D on R = Price & Delivery on Request

Item #	Part #	Reference #	Description	Availability		
				Genuine Metaris	Hydralex Reman*	OEM
27		M9260048	Rotating Seal	Stock	n/a	P&D on R
28		M9260049	Stationary Seal	Stock	n/a	P&D on R
29		M9260423	Drive Shaft - 27T Gear Charge Pump	Stock	n/a	P&D on R
29		M9260140	Drive Shaft - 13T Gear Charge Pump	Stock	n/a	P&D on R
29		M9260176	Drive Shaft - 2.250 Str. Key w/ .500 Keyway (Gear Charge Pump)	Stock	n/a	P&D on R
30		M9260142	Servo Link	Stock	n/a	P&D on R
31		M9270178	Sleeve Retainer	Stock	n/a	P&D on R
32		M9270234	Spring Guide - Servo Piston	P&D on R	n/a	P&D on R
33		M95104230007	End Cap Bearing Shim Kit	Stock	n/a	P&D on R
34		M90096250035	Washer	Stock	n/a	P&D on R
35		M9802412	Orifice - .025	Stock	n/a	P&D on R
		M9801202	Orifice - .036	Stock	n/a	P&D on R
		M9801094	Orifice - .042	Stock	n/a	P&D on R
		M9801254	Orifice - .052	Stock	n/a	P&D on R
		M9802564	Orifice - .060	Stock	n/a	P&D on R
36		M9800917	Spacer	P&D on R	n/a	P&D on R
37		M9803418	Control Handle	n/a	n/a	Stock
38		M6890180	Lifting Eye	Stock	n/a	P&D on R
41		M9803340	Control Valve Gasket	Stock	n/a	P&D on R
42		M9801604	Charge Pump Gasket	Stock	n/a	P&D on R
43		M95104220007	Trunnion Bearing Shim Kit	Stock	n/a	P&D on R
44		M9260144	End Cap Gasket	Stock	n/a	P&D on R
45		M9260145	Front Cover Gasket	Stock	n/a	P&D on R
47		M9220242	Seal Retainer Spring	Stock	n/a	P&D on R
48		M9270236	Servo Spring	Stock	n/a	P&D on R
49		M90035602500	Control Handle Nut	Stock	n/a	P&D on R
51		M90051004400	Housing Plug	Stock	n/a	P&D on R
54		M90072002530	Control Mounting Bolt	Stock	n/a	P&D on R
55		M90072003752	32.8 cm3 (2.0) Charge Pump Mounting Bolt	Stock	n/a	P&D on R
55		M90072003744	65.5 cm3 (4.0) Charge Pump Mounting Bolt	Stock	n/a	P&D on R
57		M90072005026	Front Cover Bolt	Stock	n/a	P&D on R
59		M90072007552	End Cap Screw Long	Stock	n/a	P&D on R
60		M90072760055	Servo Piston Spring Bolt	Stock	n/a	P&D on R
61		M90072006222	Trunnion Bolt	Stock	n/a	P&D on R
62		M9802396	Pin - Swash Plate Feedback Link	Stock	n/a	P&D on R
63		M90048300009	Pin - Servo Piston Link	Stock	n/a	P&D on R

General

PV-26 Replacement Parts Listing Cont.

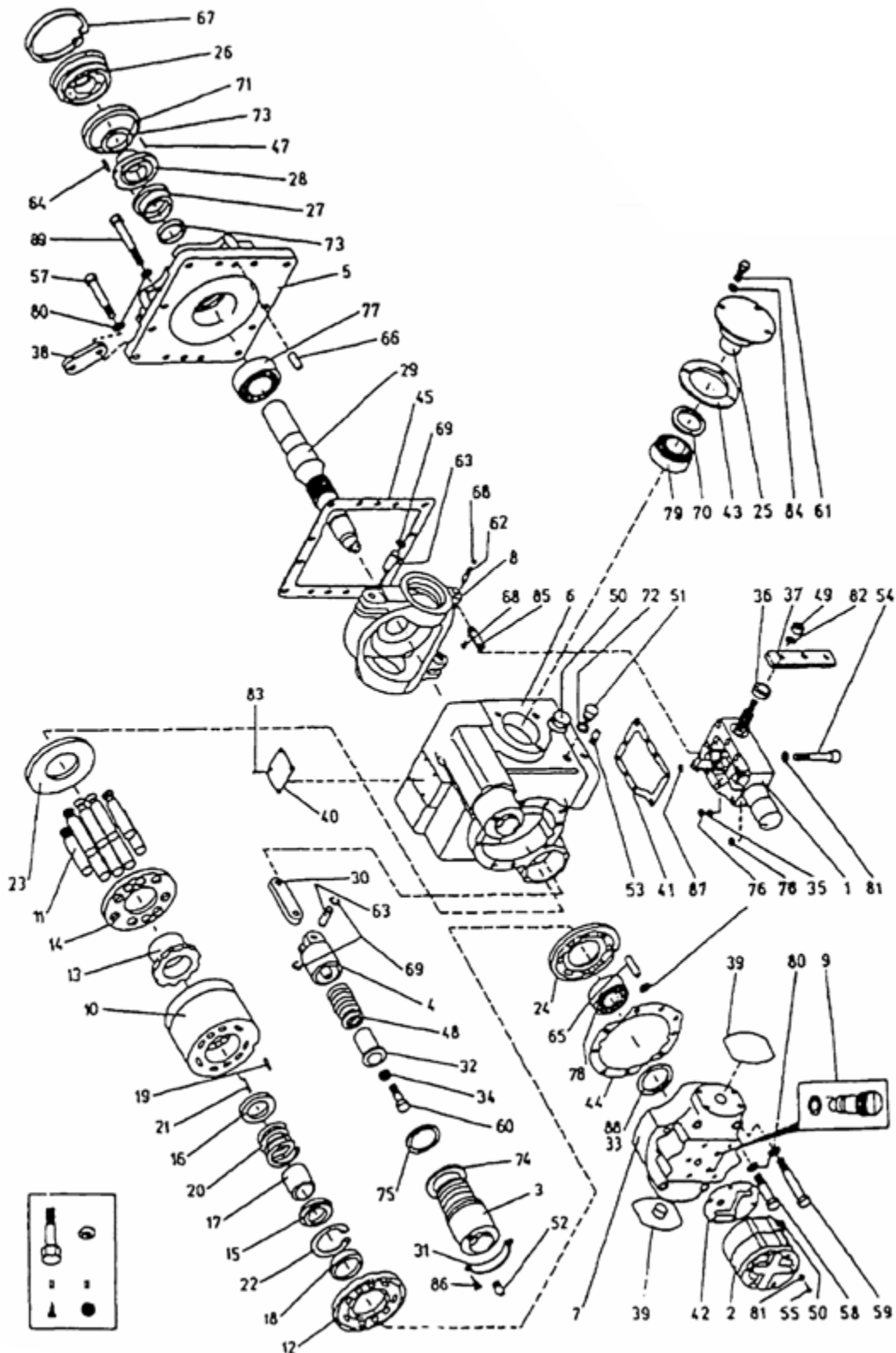
P&D on R = Price & Delivery on Request

Item #	Part #	Reference #	Description	Availability		
				Genuine Metaris	Hydralex Reman*	OEM
65		M90048003110	End Cap Dowel Pin	n/a	n/a	Stock
66		M90048003708	Front Cover Dowel Pin	n/a	n/a	Stock
67		M90062010433	Shaft Seal Retaining Ring	Stock	n/a	P&D on R
68		M90063260025	Swashplate Retaining Ring	Stock	n/a	P&D on R
69		M90063000087	Servo Piston Pin Retaining Ring	Stock	n/a	P&D on R
70		M90041002400	Trunnion Cover O-Ring	Stock	n/a	P&D on R
71		M90041002420	Shaft Seal Retainer O-Ring	Stock	n/a	P&D on R
72		M90041010120	Housing Plug O-Ring	Stock	n/a	P&D on R
73		M90041041440	Rotating Seal O-Ring	Stock	n/a	P&D on R
74		M90041001560	Servo Sleeve O-Ring Large	Stock	n/a	P&D on R
75		M90041002430	Servo Sleeve O-Ring Small	Stock	n/a	P&D on R
76		M90041010140	Orifice O-Ring	Stock	n/a	P&D on R
77		M9510267	Front Bearing - Main Shaft	Stock	n/a	P&D on R
78		M9510266	Rear Bearing - End Cap	Stock	n/a	P&D on R
79		M9510268	Trunnion Bearing	Stock	n/a	P&D on R
80		M90096105387	Front cover bolt Washer	Stock	n/a	P&D on R
81		M90096102850	Control Bolt Washer	Stock	n/a	P&D on R
82		M90096602500	Control Handle Star Washer	Stock	n/a	P&D on R
84		M90096106690	Trunnion Bolt Washer	Stock	n/a	P&D on R
85		M9801232	Swashplate Feedback Link	P&D on R	n/a	P&D on R
86		M90072760011	Servo Sleeve Lock Torx Head Screw	Stock	n/a	P&D on R
		M9510316	Pump Gasket Kit (Seal Kit)	Stock	n/a	P&D on R
		M9510316OL	Open Loop Pump Gasket Kit (Seal Kit)	Stock	n/a	P&D on R

*Hydralex Global will purchase some reman parts cores back for a credit toward your account. If interested, please speak with your customer service representative for credit amounts. Parts must be in rebuildable/reworkable condition.

General

PV-27 Component Breakdown



General PV-27 Replacement Parts Listing

P&D on R = Price & Delivery on Request

Item #	Part #	Reference #	Description	Availability		
				Genuine Metaris	Hydralex Reman*	OEM
1		M95103682007	MH STD SERVO VALVE	Stock	Stock	P&D on R
1		M95103692010	MC SERVO VALVE w POR	Stock	Stock	P&D on R
1		M11013664	HDC HYDRAULIC SERVO VALVE w/o Link Kit (MMCV106A6901)	Stock	Stock	P&D on R
1		M11018280	HDC/POR Hydraulic Servo Valve w/ POR w/o Link Kit (MMCV106A8901)	Stock	Stock	P&D on R
2		M951066526RF	Charge Pump Assembly 32.8 cm3 (2.0) (CW)	Stock	Stock	P&D on R
2		M951066526LF	Charge Pump Assembly 32.8 cm3 (2.0) (CCW)	Stock	Stock	P&D on R
2		M95106666RK	Charge Pump Assembly 65.5 cm3 (4.0) (CW)	Stock	Stock	P&D on R
2		M95106666LK	Charge Pump Assembly 65.5 cm3 (4.0) (CCW)	Stock	Stock	P&D on R
3		M9260282	Servo Sleeve	Stock	Stock	P&D on R
4		M9270355	Servo Piston	Stock	Stock	P&D on R
5		M9270188	Front Cover	P&D on R	Stock	P&D on R
6		M9270586	Pump Housing	P&D on R	Stock	P&D on R
7		M9270473	End Cap (code 62)	P&D on R	Stock	P&D on R
8		M9270462	Swash Plate	Stock	Stock	P&D on R
9		M9802028	Check Valve	P&D on R	n/a	P&D on R
10		M9270495	Cylinder Barrel	Stock	Stock	P&D on R
11		M95104080009	Piston Assembly (Set of 3)	Stock	Stock	P&D on R
12		M9270657	Bearing Plate	Stock	n/a	P&D on R
13		M9270105	Retainer (Ball) Guide	Stock	n/a	P&D on R
14		M9270486	Slipper Retainer (Set Plate)	Stock	n/a	P&D on R
15		M9270209	Spring Retainer	P&D on R	n/a	P&D on R
16		M9270013	Spring Seat	P&D on R	n/a	P&D on R
17		M9270015	Spring Guide	P&D on R	n/a	P&D on R
18		M9270656	Bearing Plate Pilot	Stock	n/a	P&D on R
19		M9260088	Pin	Stock	n/a	P&D on R
20		M9270448	Cylinder Barrel Spring	P&D on R	n/a	P&D on R
21		M9270496	Retainer (Ball Guide) Spring - 6SP Type	P&D on R	n/a	P&D on R
22		M90062500400	Retaining Ring	P&D on R	n/a	P&D on R
23		M9270482	Thrust Plate (Shoe Plate)	Stock	n/a	P&D on R
24		M9270683	Valve Plate (CW)	Stock	n/a	P&D on R
24		M9270684	Valve Plate (CCW)	Stock	n/a	P&D on R
25		M9270018	Trunnion	P&D on R	Stock	P&D on R
		M9510191	Shaft Seal Kit	Stock	n/a	P&D on R
26		M9270126	Seal retainer	Stock	n/a	P&D on R

General

PV-27 Replacement Parts Listing Cont.

P&D on R = Price & Delivery on Request

Item #	Part #	Reference #	Description	Availability		
				Genuine Metaris	Hydralex Reman*	OEM
27		M9270124	Rotating Seal	Stock	n/a	P&D on R
28		M9270125	Stationary Seal	Stock	n/a	P&D on R
29		M9270422	Drive Shaft - 15T Gear Charge Pump	Stock	n/a	P&D on R
29		M9270738	Drive Shaft - 40T Gear Charge Pump	Stock	n/a	P&D on R
29		M9270427	Drive Shaft - 2.500 Str. Key w/ .625 Keyway (Gear Charge Pump)	Stock	n/a	P&D on R
30		M9270165	Servo Link	Stock	n/a	P&D on R
31		M9270178	Sleeve Retainer	Stock	n/a	P&D on R
32		M9270234	Spring Guide - Servo Piston	P&D on R	n/a	P&D on R
33		M95104230008	End Cap Bearing Shim Kit	Stock	n/a	P&D on R
34		M90096250035	Washer	Stock	n/a	P&D on R
35		M9802412	Orifice - .025	Stock	n/a	P&D on R
35		M9801202	Orifice - .036	Stock	n/a	P&D on R
35		M9801094	Orifice - .042	Stock	n/a	P&D on R
35		M9801254	Orifice - .052	Stock	n/a	P&D on R
35		M9802564	Orifice - .060	Stock	n/a	P&D on R
36		M9800917	Spacer	P&D on R	n/a	P&D on R
37		M9803418	Control Handle	n/a	n/a	Stock
38		M6890180	Lifting Eye	Stock	n/a	P&D on R
41		M9803340	Control Valve Gasket	Stock	n/a	P&D on R
42		M9801604	Charge Pump Gasket	Stock	n/a	P&D on R
43		M95104220008	Trunnion Bearing Shim Kit	Stock	n/a	P&D on R
44		M9270710	End Cap Gasket	Stock	n/a	P&D on R
45		M9270175	Front Cover Gasket	Stock	n/a	P&D on R
47		M9220242	Seal Retainer Spring	Stock	n/a	P&D on R
48		M9270236	Servo Spring	Stock	n/a	P&D on R
49		M90035602500	Control Handle Nut	Stock	n/a	P&D on R
51		M90051004400	Housing Plug	Stock	n/a	P&D on R
54		M90072002530	Control Mounting Bolt	Stock	n/a	P&D on R
55		M90072003744	65.5 cm3 (4.0) Charge Pump Mounting Bolt	Stock	n/a	P&D on R
57		M90072005026	Front Cover Bolt	Stock	n/a	P&D on R
58		M90072007556	End Cap Screw Short	Stock	n/a	P&D on R
59		M90072007552	End Cap Screw Long	Stock	n/a	P&D on R
60		M90072760055	Servo Piston Spring Bolt	Stock	n/a	P&D on R
61		M90072006222	Trunnion Bolt	Stock	n/a	P&D on R
62		M9802396	Pin - Swash Plate Feedback Link	Stock	n/a	P&D on R
63		M90048300009	Pin - Servo Piston Link	Stock	n/a	P&D on R

General **PV-27 Replacement Parts Listing Cont.**

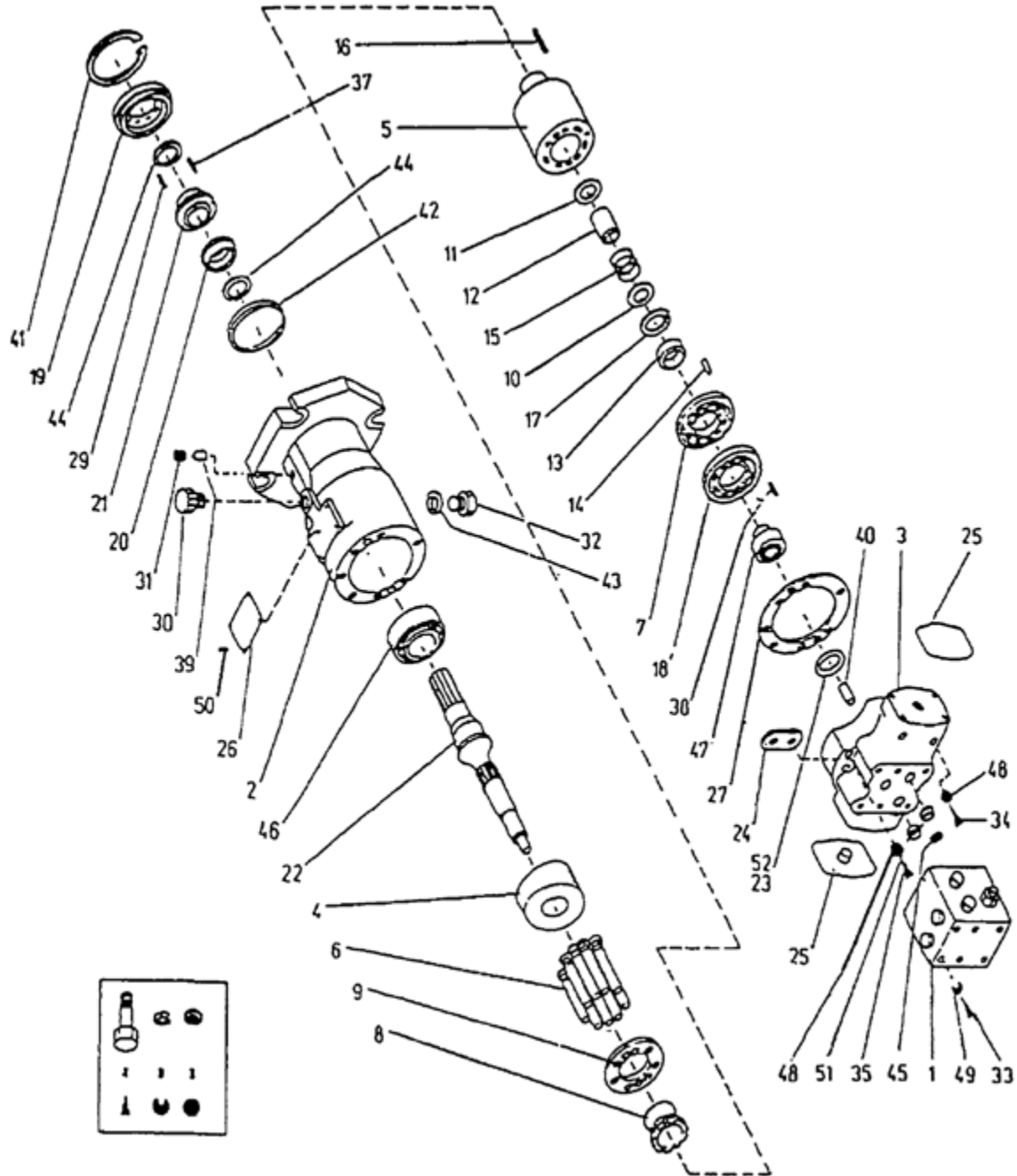
P&D on R = Price & Delivery on Request

Item #	Part #	Reference #	Description	Availability		
				Genuine Metaris	Hydralex Reman*	OEM
65		M90048003110	End Cap Dowel Pin	n/a	n/a	Stock
66		M90048003708	Front Cover Dowel Pin	n/a	n/a	Stock
67		M90062010450	Shaft Seal Retaining Ring	Stock	n/a	P&D on R
68		M90063260025	Swashplate Retaining Ring	Stock	n/a	P&D on R
69		M90063000087	Servo Piston Pin Retaining Ring	Stock	n/a	P&D on R
70		M90041002450	Trunnion Cover O-Ring	Stock	n/a	P&D on R
71		M90041002430	Shaft Seal Retainer O-Ring	Stock	n/a	P&D on R
72		M90041010120	Housing Plug O-Ring	Stock	n/a	P&D on R
73		M90041041490	Rotating Seal O-Ring	Stock	n/a	P&D on R
74		M90041001560	Servo Sleeve O-Ring Large	Stock	n/a	P&D on R
75		M90041002430	Servo Sleeve O-Ring Small	Stock	n/a	P&D on R
76		M90041010140	Orifice O-Ring	Stock	n/a	P&D on R
77		M9510270	Front Bearing - Main Shaft	n/a	n/a	Stock
78		M9510386	Rear Bearing - End Cap	Stock	n/a	P&D on R
79		M9510271	Trunnion Bearing	Stock	n/a	P&D on R
80		M90096105387	Front cover bolt Washer	Stock	n/a	P&D on R
81		M90096102850	Control Bolt Washer	Stock	n/a	P&D on R
82		M90096602500	Control Handle Star Washer	Stock	n/a	P&D on R
84		M90096506200	Trunnion Bolt Washer	P&D on R	n/a	P&D on R
85		M9800589	Swashplate Feedback Link	P&D on R	n/a	P&D on R
86		M90072760011	Servo Sleeve Lock Torx Head Screw	Stock	n/a	P&D on R
		M9510242	Pump Gasket Kit (Seal Kit)	Stock	n/a	P&D on R
		M9510242OL	Open Loop Pump Gasket Kit (Seal Kit)	Stock	n/a	P&D on R

*Hydralex Global will purchase some reman parts cores back for a credit toward your account. If interested, please speak with your customer service representative for credit amounts. Parts must be in rebuildable/reworkable condition.

General

MF-20 Component Breakdown



General MF-20 Replacement Parts Listing

P&D on R = Price & Delivery on Request

Item #	Part #	Reference #	Description	Availability		
				Genuine Metaris	Hydralex Reman*	OEM
1		M9510083	Valve Block	Stock	Stock	P&D on R
1		M95104385000	Pressure Valve 35 Mpa	Stock	Stock	P&D on R
2		M9200077	Motor Housing	P&D on R	Stock	P&D on R
3		M9200434	End Cap Code 61	P&D on R	Stock	P&D on R
3		M9200436	End Cap Code 62	P&D on R	Stock	P&D on R
4		M9200197	Swash Plate	P&D on R	Stock	P&D on R
5		M9200544	Cylinder Barrel	Stock	Stock	P&D on R
6		M9200499	Piston Assembly (Individual)	Stock	Stock	P&D on R
7		M2733	Bearing Plate	Stock	n/a	P&D on R
8		M2642	Retainer (Ball) Guide	Stock	n/a	P&D on R
9		M2667	Slipper Retainer (Set Plate)	Stock	n/a	P&D on R
10		M9200336	Spring Retainer	P&D on R	n/a	P&D on R
11		M9200013	Spring Seat	P&D on R	n/a	P&D on R
12		M9200015	Spring Guide	Stock	n/a	P&D on R
13		M9200179	Bearing Plate Pilot	P&D on R	n/a	P&D on R
14		M9200228	Pin	Stock	n/a	P&D on R
15		M9200503	Cylinder Barrel Spring	Stock	n/a	P&D on R
16		M9200545	Retainer (Ball Guide) Spring - 6SP Type	Stock	n/a	P&D on R
17		M90062000175	Retaining Ring	P&D on R	n/a	P&D on R
18		M9200430	Valve Plate	Stock	n/a	P&D on R
		M9510189	Shaft Seal Kit	Stock	n/a	P&D on R
19		M9210168	Seal Retainer	Stock	n/a	P&D on R
20		M9210247	Rotating Seal	Stock	n/a	P&D on R
21		M9210248	Stationary Seal	Stock	n/a	P&D on R
22		M78865	Drive Shaft - 14T	P&D on R	n/a	P&D on R
22		M708412	Drive Shaft - 1.375 Str. Key w/ .312 Keyway	P&D on R	n/a	P&D on R
22		M708404	Drive Shaft - 20T	P&D on R	n/a	P&D on R
22		M2873	Drive Shaft - 21T	P&D on R	n/a	P&D on R
23		M95104230001	End Cap Bearing Shim Kit	Stock	n/a	P&D on R
24		M6890181	Lifting Eye	Stock	n/a	P&D on R
27		M9200088	End Cap Gasket	Stock	n/a	P&D on R
29		M9220242	Shaft Seal Retainer Spring	Stock	n/a	P&D on R
30		M90051008700	Case Drain Plug	P&D on R	n/a	P&D on R
31		M90050011200	Swashplate Pin Housing Plug	P&D on R	n/a	P&D on R
33		M90072003142	Manifold Block Hex Head Screw	P&D on R	n/a	P&D on R
38		M90048003110	Valveplate Pin	P&D on R	n/a	P&D on R

General

MF-20 Replacement Parts Listing Cont.

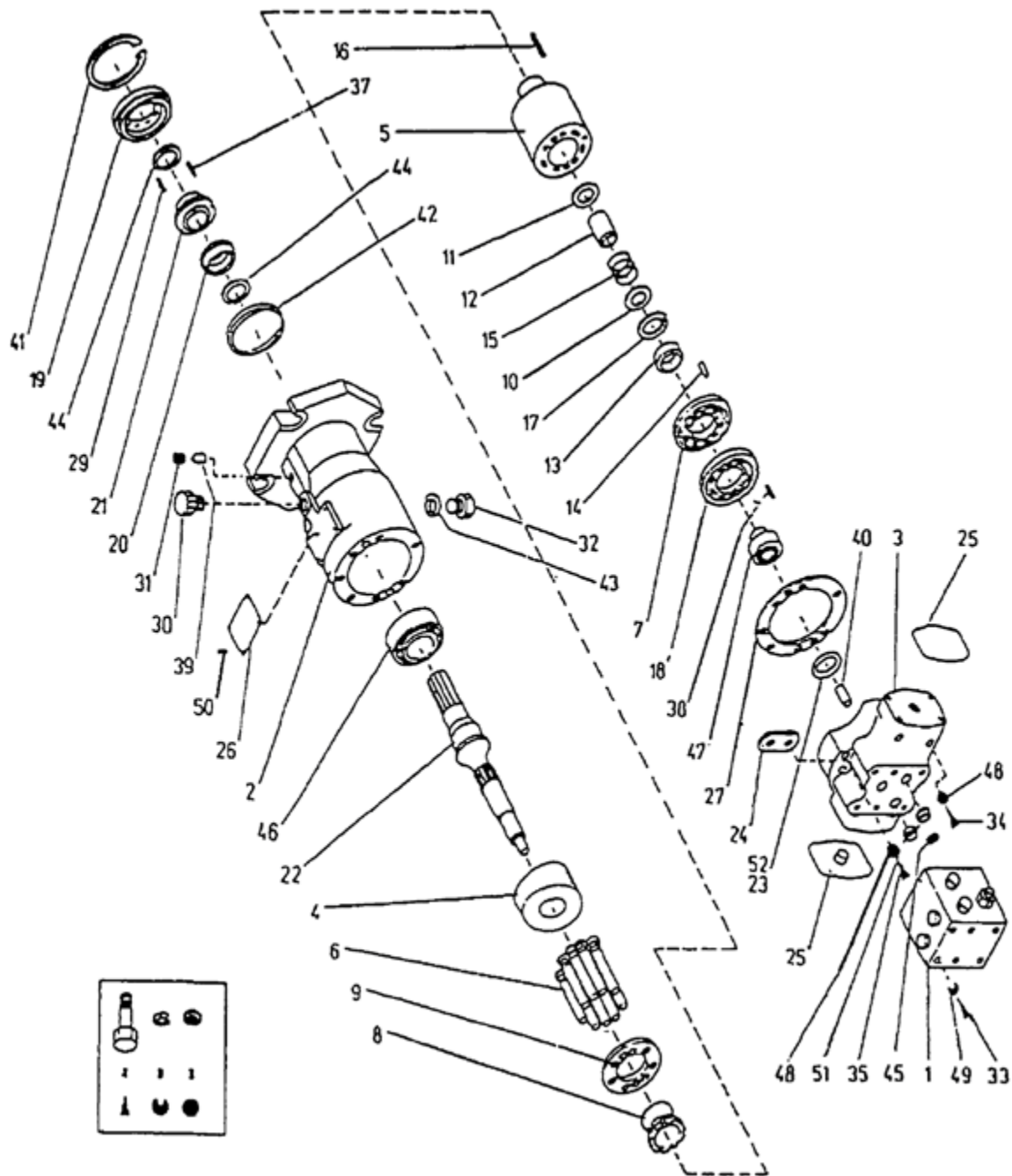
P&D on R = Price & Delivery on Request

Item #	Part #	Reference #	Description	Availability		
				Genuine Metaris	Hydralex Reman*	OEM
39		M90048750079	Swashplate Pin	P&D on R	n/a	P&D on R
40		M90048003110	End Cap Dowel Pin	n/a	n/a	Stock
41		M90062010334	Shaft Seal Retaining Ring	Stock	n/a	P&D on R
42		M90041002340	Shaft Seal Retainer O-Ring	Stock	n/a	P&D on R
43		M90042016200	Case Drain Plug O-Ring	Stock	n/a	P&D on R
44		M90041041290	Rotating Seal O-Ring	Stock	n/a	P&D on R
45		M90043750017	Manifold Block O-Ring Case Drain	Stock	n/a	P&D on R
46		M9510251	Front Bearing - Main Shaft	Stock	n/a	P&D on R
47		M9510250	Rear Bearing - End Cap	Stock	n/a	P&D on R
49		M90096103459	Manifold Block Screw Washer	P&D on R	n/a	P&D on R
51		M90043750012	Manifold Block O-Ring High Pressure	Stock	n/a	P&D on R
		M9510225	Fixed Motor Gasket Kit (Seal Kit)	Stock	n/a	P&D on R

*Hydralex Global will purchase some reman parts cores back for a credit toward your account. If interested, please speak with your customer service representative for credit amounts. Parts must be in rebuildable/reworkable condition.

General

MF-21 Component Breakdown



General MF-21 Replacement Parts Listing

P&D on R = Price & Delivery on Request

Item #	Part #	Reference #	Description	Availability		
				Genuine Metaris	Hydralex Reman*	OEM
1		M9510083	Valve Block	Stock	Stock	P&D on R
1		M95104385000	Pressure Valve 35 Mpa	Stock	Stock	P&D on R
2		M9210210	Motor Housing	P&D on R	Stock	P&D on R
3		M9210490	End Cap Code 61	P&D on R	Stock	P&D on R
3		M9210442	End Cap Code 62	P&D on R	Stock	P&D on R
4		M9210318	Swash Plate	Stock	Stock	P&D on R
5		M9210576	Cylinder Barrel	Stock	Stock	P&D on R
6		M95104080010	Piston Assembly (Set of 3)	P&D on R	Stock	P&D on R
7		M9210658	Bearing Plate	P&D on R	n/a	P&D on R
8		M9210219	Retainer (Ball) Guide	Stock	n/a	P&D on R
9		M9210292	Slipper Retainer (Set Plate)	Stock	n/a	P&D on R
10		M9210014	Spring Retainer	Stock	n/a	P&D on R
11		M9210013	Spring Seat	P&D on R	n/a	P&D on R
12		M9210015	Spring Guide	Stock	n/a	P&D on R
13		M9210308	Bearing Plate Pilot	Stock	n/a	P&D on R
14		M9200228	Pin	Stock	n/a	P&D on R
15		M9210540	Cylinder Barrel Spring	Stock	n/a	P&D on R
16		M9210577	Retainer (Ball Guide) Spring - 6SP Type	Stock	n/a	P&D on R
17		M90062500212	Retaining Ring	Stock	n/a	P&D on R
18		M9210480	Valve Plate	Stock	n/a	P&D on R
		M9510189	Shaft Seal Kit	Stock	n/a	P&D on R
19		M9210168	Seal Retainer	Stock	n/a	P&D on R
20		M9210247	Rotating Seal	Stock	n/a	P&D on R
21		M9210248	Stationary Seal	Stock	n/a	P&D on R
22		M9210468	Drive Shaft - 14T	Stock	n/a	P&D on R
22		M9210547	Drive Shaft - 1.375 Str. Key w/ .312 Keyway	P&D on R	n/a	P&D on R
22		M9210206	Drive Shaft - 21T	Stock	n/a	P&D on R
23		M95104230002	End Cap Bearing Shim Kit	Stock	n/a	P&D on R
24		M6890181	Lifting Eye	Stock	n/a	P&D on R
27		M9210204	End Cap Gasket	Stock	n/a	P&D on R
29		M9220242	Shaft Seal Retainer Spring	Stock	n/a	P&D on R
30		M90051008700	Case Drain Plug	P&D on R	n/a	P&D on R
31		M90050011200	Swashplate Pin Housing Plug	P&D on R	n/a	P&D on R
33		M90072003142	Manifold Block Hex Head Screw	P&D on R	n/a	P&D on R
34		M90072003736	Long End Cap Screw	P&D on R	n/a	P&D on R
35		M90072003728	Short End Cap Screw	P&D on R	n/a	P&D on R

General

MF-21 Replacement Parts Listing Cont.

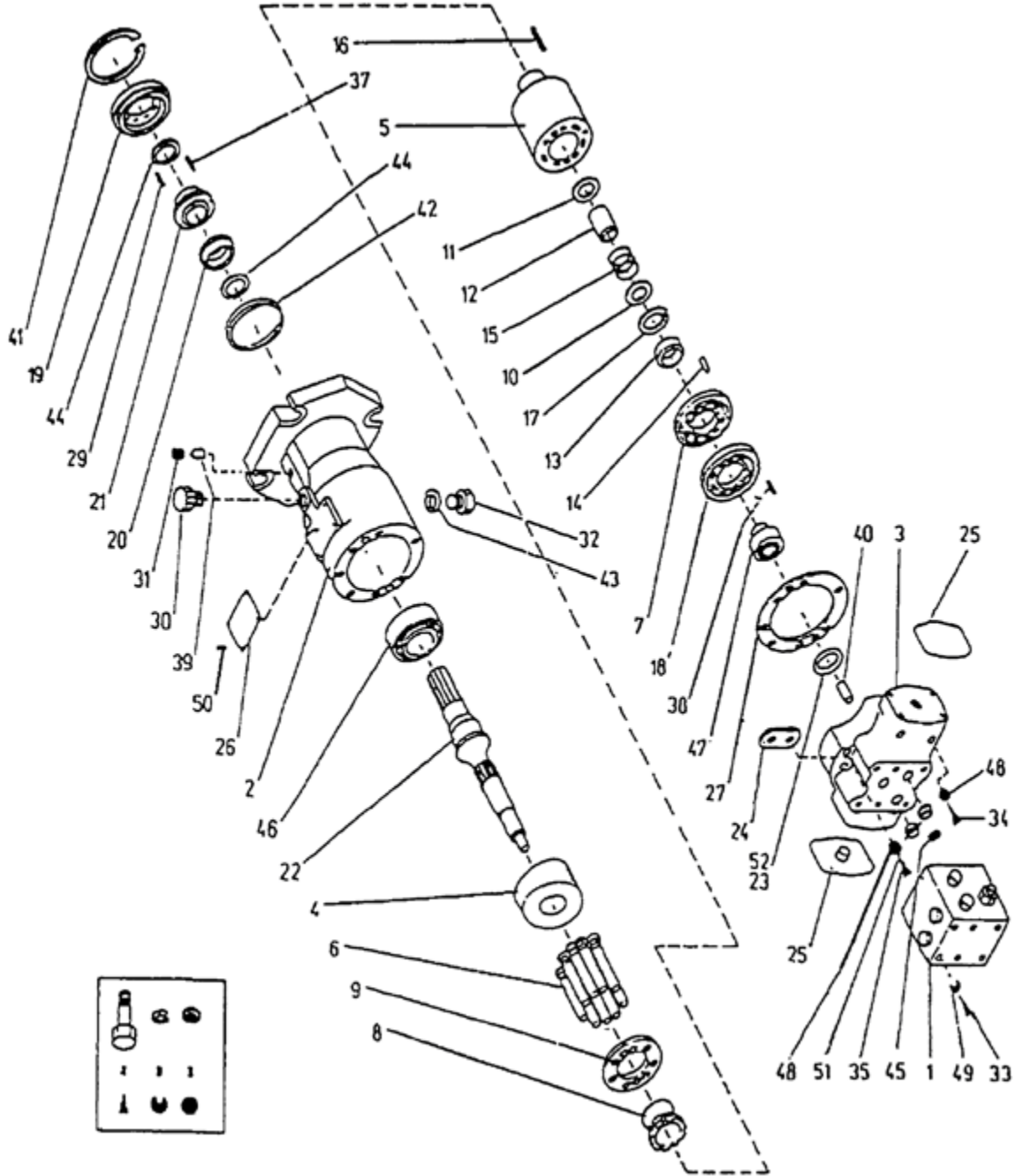
P&D on R = Price & Delivery on Request

Item #	Part #	Reference #	Description	Availability		
				Genuine Metaris	Hydralex Reman*	OEM
38		M90048003110	Valveplate Pin	P&D on R	n/a	P&D on R
39		M90048750079	Swashplate Pin	P&D on R	n/a	P&D on R
40		M90048003110	End Cap Dowel Pin	n/a	n/a	Stock
41		M90062010334	Shaft Seal Retaining Ring	Stock	n/a	P&D on R
42		M90041002340	Shaft Seal Retainer O-Ring	Stock	n/a	P&D on R
43		M90042016200	Case Drain Plug O-Ring	Stock	n/a	P&D on R
44		M90041041290	Rotating Seal O-Ring	Stock	n/a	P&D on R
45		M90043750017	Manifold Block O-Ring Case Drain	Stock	n/a	P&D on R
46		M9510251	Front Bearing - Main Shaft	Stock	n/a	P&D on R
47		M9510253	Rear Bearing - End Cap	Stock	n/a	P&D on R
48		M90096104069	End Cap Screw Washer	P&D on R	n/a	P&D on R
49		M90096103459	Manifold Block Screw Washer	P&D on R	n/a	P&D on R
51		M90043750012	Manifold Block O-Ring High Pressure	Stock	n/a	P&D on R
		M9510228	Fixed Motor Gasket Kit (Seal Kit)	Stock	n/a	P&D on R

*Hydralex Global will purchase some reman parts cores back for a credit toward your account. If interested, please speak with your customer service representative for credit amounts. Parts must be in rebuildable/reworkable condition.

General

MF-22 Component Breakdown



General

MF-22 Replacement Parts Listing

P&D on R = Price & Delivery on Request

Item #	Part #	Reference #	Description	Availability		
				Genuine Metaris	Hydralex Reman*	OEM
1		M9510083	Valve Block	Stock	Stock	P&D on R
1		M95104385000	Pressure Valve 35 Mpa	Stock	Stock	P&D on R
2		M9220416	Motor Housing	P&D on R	Stock	P&D on R
3		M9220998	End Cap Code 61	P&D on R	Stock	P&D on R
3		M9220999	End Cap Code 62	P&D on R	Stock	P&D on R
4		M9220689	Swash Plate	Stock	Stock	P&D on R
5		M9221102	Cylinder Barrel	Stock	Stock	P&D on R
6		M95104080001	Piston Assembly (Set of 3)	Stock	Stock	P&D on R
7		M9221335	Bearing Plate	P&D on R	n/a	P&D on R
8		M9220500	Retainer (Ball) Guide	Stock	n/a	P&D on R
9		M9220628	Slipper Retainer (Set Plate)	Stock	n/a	P&D on R
10		M9220043	Spring Retainer	P&D on R	n/a	P&D on R
11		M9220042	Spring Seat	P&D on R	n/a	P&D on R
12		M9220015	Spring Guide	Stock	n/a	P&D on R
13		M9220633	Bearing Plate Pilot	Stock	n/a	P&D on R
14		M9240217	Pin	Stock	n/a	P&D on R
15		M9230627	Cylinder Barrel Spring	Stock	n/a	P&D on R
16		M9221105	Retainer (Ball Guide) Spring - 6SP Type	Stock	n/a	P&D on R
17		M90062500231	Retaining Ring	P&D on R	n/a	P&D on R
18		M9220922	Valve Plate	Stock	n/a	P&D on R
		M9510189	Shaft Seal Kit	Stock	n/a	P&D on R
19		M9210168	Seal Retainer	Stock	n/a	P&D on R
20		M9210247	Rotating Seal	Stock	n/a	P&D on R
21		M9210248	Stationary Seal	Stock	n/a	P&D on R
22		M9220976	Drive Shaft - 14T	P&D on R	n/a	P&D on R
22		M9220516	Drive Shaft - 19T	P&D on R	n/a	P&D on R
22		M9221094	Drive Shaft - 1.375 Str. Key w/ .312 Keyway	P&D on R	n/a	P&D on R
22		M9220530	Drive Shaft - 20T	P&D on R	n/a	P&D on R
22		M9220399	Drive Shaft - 21T	P&D on R	n/a	P&D on R
23		M95104230003	End Cap Bearing Shim Kit	Stock	n/a	P&D on R
24		M6890181	Lifting Eye	Stock	n/a	P&D on R
27		M9221337	End Cap Gasket	Stock	n/a	P&D on R
29		M9220242	Shaft Seal Retainer Spring	Stock	n/a	P&D on R
30		M90051008700	Case Drain Plug	P&D on R	n/a	P&D on R
31		M90050011200	Swashplate Pin Housing Plug	P&D on R	n/a	P&D on R
33		M90072003142	Manifold Block Hex Head Screw	P&D on R	n/a	P&D on R

General

MF-22 Replacement Parts Listing Cont.

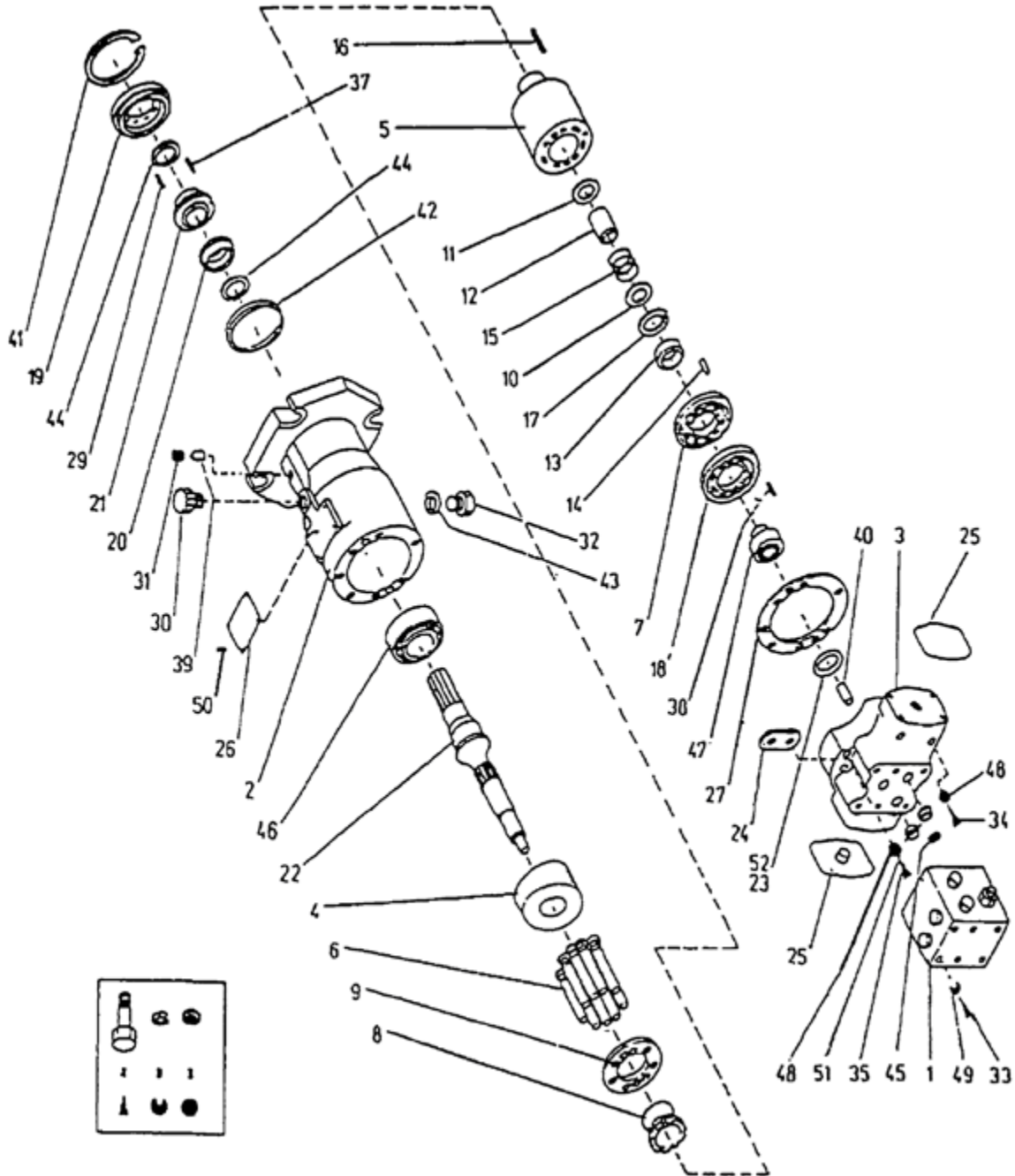
P&D on R = Price & Delivery on Request

Item #	Part #	Reference #	Description	Availability		
				Genuine Metaris	Hydralex Reman*	OEM
34		M90072003736	Long End Cap Screw	P&D on R	n/a	P&D on R
35		M90072003728	Short End Cap Screw	P&D on R	n/a	P&D on R
38		M90048003110	Valveplate Pin	P&D on R	n/a	P&D on R
39		M90048003112	Swashplate Pin	P&D on R	n/a	P&D on R
40		M90048003110	End Cap Dowel Pin	n/a	n/a	Stock
41		M90062010334	Shaft Seal Retaining Ring	Stock	n/a	P&D on R
42		M90041002340	Shaft Seal Retainer O-Ring	Stock	n/a	P&D on R
43		M90042016200	Case Drain Plug O-Ring	Stock	n/a	P&D on R
44		M90041041290	Rotating Seal O-Ring	Stock	n/a	P&D on R
45		M90043750017	Manifold Block O-Ring Case Drain	Stock	n/a	P&D on R
46		M9510256	Front Bearing - Main Shaft	Stock	n/a	P&D on R
47		M9510255	Rear Bearing - End Cap	Stock	n/a	P&D on R
48		M90096104069	End Cap Screw Washer	P&D on R	n/a	P&D on R
49		M90096103459	Manifold Block Screw Washer	P&D on R	n/a	P&D on R
51		M90043750012	Manifold Block O-Ring High Pressure	Stock	n/a	P&D on R
		M9510231	Fixed Motor Gasket Kit (Seal Kit)	Stock	n/a	P&D on R

*Hydralex Global will purchase some reman parts cores back for a credit toward your account. If interested, please speak with your customer service representative for credit amounts. Parts must be in rebuildable/reworkable condition.

General

MF-23 Component Breakdown



General

MF-23 Replacement Parts Listing

P&D on R = Price & Delivery on Request

Item #	Part #	Reference #	Description	Availability		
				Genuine Metaris	Hydralex Reman*	OEM
1		M9510083	Valve Block	Stock	Stock	P&D on R
1		M95104385000	Pressure Valve 35 Mpa	Stock	Stock	P&D on R
2		M9230597	Motor Housing	P&D on R	Stock	P&D on R
3		M9230566	End Cap Code 61	P&D on R	Stock	P&D on R
4		M9230270	Swash Plate	Stock	Stock	P&D on R
5		M9230651	Cylinder Barrel	Stock	Stock	P&D on R
6		M95104080002	Piston Assembly (Set of 3)	Stock	Stock	P&D on R
7		M9230881	Bearing Plate	P&D on R	n/a	P&D on R
8		M9230158	Retainer (Ball) Guide	Stock	n/a	P&D on R
9		M9230234	Slipper Retainer (Set Plate)	Stock	n/a	P&D on R
10		M9230014	Spring Retainer	P&D on R	n/a	P&D on R
11		M9230013	Spring Seat	P&D on R	n/a	P&D on R
12		M9230015	Spring Guide	Stock	n/a	P&D on R
13		M9230707	Bearing Plate Pilot	P&D on R	n/a	P&D on R
14		M9240217	Pin	Stock	n/a	P&D on R
15		M9230974	Cylinder Barrel Spring	Stock	n/a	P&D on R
16		M9230655	Retainer (Ball Guide) Spring - 6SP Type	Stock	n/a	P&D on R
17		M90062500250	Retaining Ring	P&D on R	n/a	P&D on R
18		M9230562	Valve Plate	Stock	n/a	P&D on R
		M9510190	Shaft Seal Kit	Stock	n/a	P&D on R
19		M9240093	Seal Retainer	Stock	n/a	P&D on R
20		M9240086	Rotating Seal	Stock	n/a	P&D on R
21		M9240092	Stationary Seal	Stock	n/a	P&D on R
22		M9230476	Drive Shaft - 14T	Stock	n/a	P&D on R
22		M9230448	Drive Shaft - 19T	Stock	n/a	P&D on R
22		M9230325	Drive Shaft - 21T	Stock	n/a	P&D on R
22		M9230173	Drive Shaft - 23T	Stock	n/a	P&D on R
22		M9230739	Drive Shaft - 23T Extra Long	Stock	n/a	P&D on R
22		M9230147	Drive Shaft - 27T	P&D on R	n/a	P&D on R
22		M9230626	Drive Shaft - 1.750 Str. Key w/ .375 Keyway	Stock	n/a	P&D on R
23		M95104230004	End Cap Bearing Shim Kit	Stock	n/a	P&D on R
24		M6890180	Lifting Eye	Stock	n/a	P&D on R
27		M9230127	End Cap Gasket	Stock	n/a	P&D on R
29		M9220242	Shaft Seal Retainer Spring	Stock	n/a	P&D on R
30		M90051008700	Case Drain Plug	P&D on R	n/a	P&D on R
31		M90050011200	Swashplate Pin Housing Plug	P&D on R	n/a	P&D on R

General

MF-23 Replacement Parts Listing Cont.

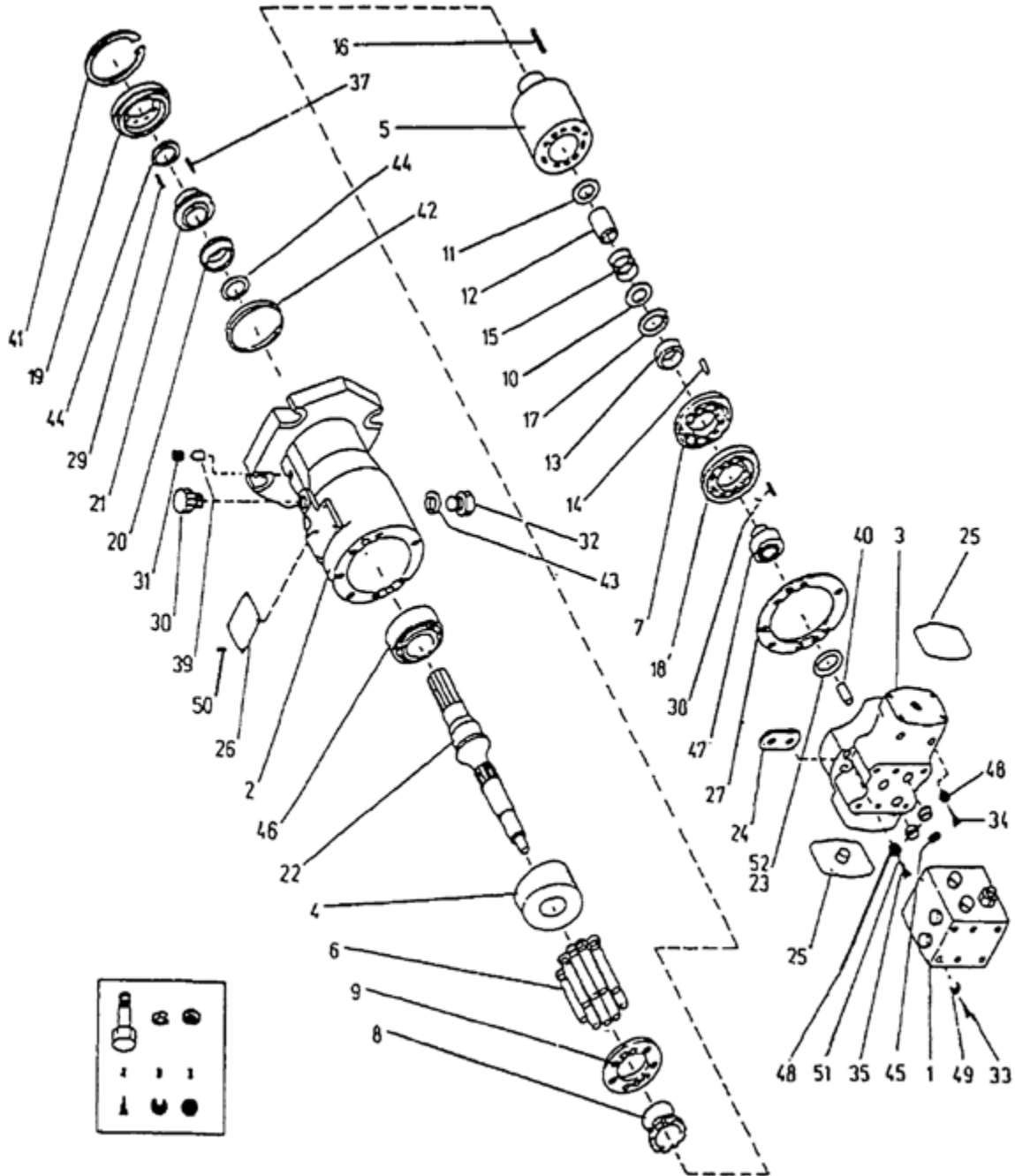
P&D on R = Price & Delivery on Request

Item #	Part #	Reference #	Description	Availability		
				Genuine Metaris	Hydralex Reman*	OEM
33		M90072003142	Manifold Block Hex Head Screw	P&D on R	n/a	P&D on R
34		M90072004438	Long End Cap Screw	P&D on R	n/a	P&D on R
35		M90072004430	Short End Cap Screw	P&D on R	n/a	P&D on R
38		M90048003110	Valveplate Pin	P&D on R	n/a	P&D on R
39		M90048003116	Swashplate Pin	P&D on R	n/a	P&D on R
40		M90048003110	End Cap Dowel Pin	n/a	n/a	Stock
41		M90062010387	Shaft Seal Retaining Ring	Stock	n/a	P&D on R
42		M90041002380	Shaft Seal Retainer O-Ring	Stock	n/a	P&D on R
43		M90042016200	Case Drain Plug O-Ring	Stock	n/a	P&D on R
44		M90041041360	Rotating Seal O-Ring	Stock	n/a	P&D on R
45		M90043750017	Manifold Block O-Ring Case Drain	Stock	n/a	P&D on R
46		M9510259	Front Bearing - Main Shaft	Stock	n/a	P&D on R
47		M9510258	Rear Bearing - End Cap	Stock	n/a	P&D on R
48		M90096104778	End Cap Screw Washer	P&D on R	n/a	P&D on R
49		M90096103459	Manifold Block Screw Washer	P&D on R	n/a	P&D on R
51		M90043750012	Manifold Block O-Ring High Pressure	Stock	n/a	P&D on R
		M9510234	Fixed Motor Gasket Kit (Seal Kit)	Stock	n/a	P&D on R

*Hydralex Global will purchase some reman parts cores back for a credit toward your account. If interested, please speak with your customer service representative for credit amounts. Parts must be in rebuildable/reworkable condition.

General

MF-24 Component Breakdown



General

MF-24 Replacement Parts Listing

P&D on R = Price & Delivery on Request

Item #	Part #	Reference #	Description	Availability		
				Genuine Metaris	Hydralex Reman*	OEM
1		M9510083	Valve Block	Stock	Stock	P&D on R
1		M95104385000	Pressure Valve 35 Mpa	Stock	Stock	P&D on R
2		M9240068	Motor Housing	P&D on R	Stock	P&D on R
3		M9240284	End Cap Code 61	P&D on R	Stock	P&D on R
4		M9240142	Swash Plate	Stock	Stock	P&D on R
5		M9240394	Cylinder Barrel	Stock	Stock	P&D on R
6		M95104080004	Piston Assembly (Set of 3)	Stock	Stock	P&D on R
7		M9240560	Bearing Plate	P&D on R	n/a	P&D on R
8		M9240097	Retainer (Ball) Guide	Stock	n/a	P&D on R
9		M9240125	Slipper Retainer (Set Plate)	Stock	n/a	P&D on R
10		M9240014	Spring Retainer	P&D on R	n/a	P&D on R
11		M9240013	Spring Seat	P&D on R	n/a	P&D on R
12		M9240015	Spring Guide	Stock	n/a	P&D on R
13		M9240135	Bearing Plate Pilot	P&D on R	n/a	P&D on R
14		M9240217	Pin	Stock	n/a	P&D on R
15		M9240518	Cylinder Barrel Spring	P&D on R	n/a	P&D on R
16		M9240393	Retainer (Ball Guide) Spring - 6SP Type	Stock	n/a	P&D on R
17		M90062500275	Retaining Ring	P&D on R	n/a	P&D on R
18		M9240279	Valve Plate	Stock	n/a	P&D on R
		M9510190	Shaft Seal Kit	Stock	n/a	P&D on R
19		M9240093	Seal Retainer	Stock	n/a	P&D on R
20		M9240086	Rotating Seal	Stock	n/a	P&D on R
21		M9240092	Stationary Seal	Stock	n/a	P&D on R
22		M9240216	Drive Shaft - 13T	P&D on R	n/a	P&D on R
22		M9240232	Drive Shaft - 27T	P&D on R	n/a	P&D on R
22		M9240320	Drive Shaft - 1.750 Str. Key w/ .375 Keyway	P&D on R	n/a	P&D on R
23		M95104230005	End Cap Bearing Shim Kit	Stock	n/a	P&D on R
24		M6890180	Lifting Eye	Stock	n/a	P&D on R
27		M9240549	End Cap Gasket	P&D on R	n/a	P&D on R
29		M9220242	Shaft Seal Retainer Spring	Stock	n/a	P&D on R
30		M90051008700	Case Drain Plug	P&D on R	n/a	P&D on R
31		M90050011200	Swashplate Pin Housing Plug	P&D on R	n/a	P&D on R
33		M90072003142	Manifold Block Hex Head Screw	P&D on R	n/a	P&D on R
34		M90072005042	Long End Cap Screw	P&D on R	n/a	P&D on R
35		M90075005044	Short End Cap Screw	P&D on R	n/a	P&D on R
38		M90048003110	Valveplate Pin	P&D on R	n/a	P&D on R

General

MF-24 Replacement Parts Listing Cont.

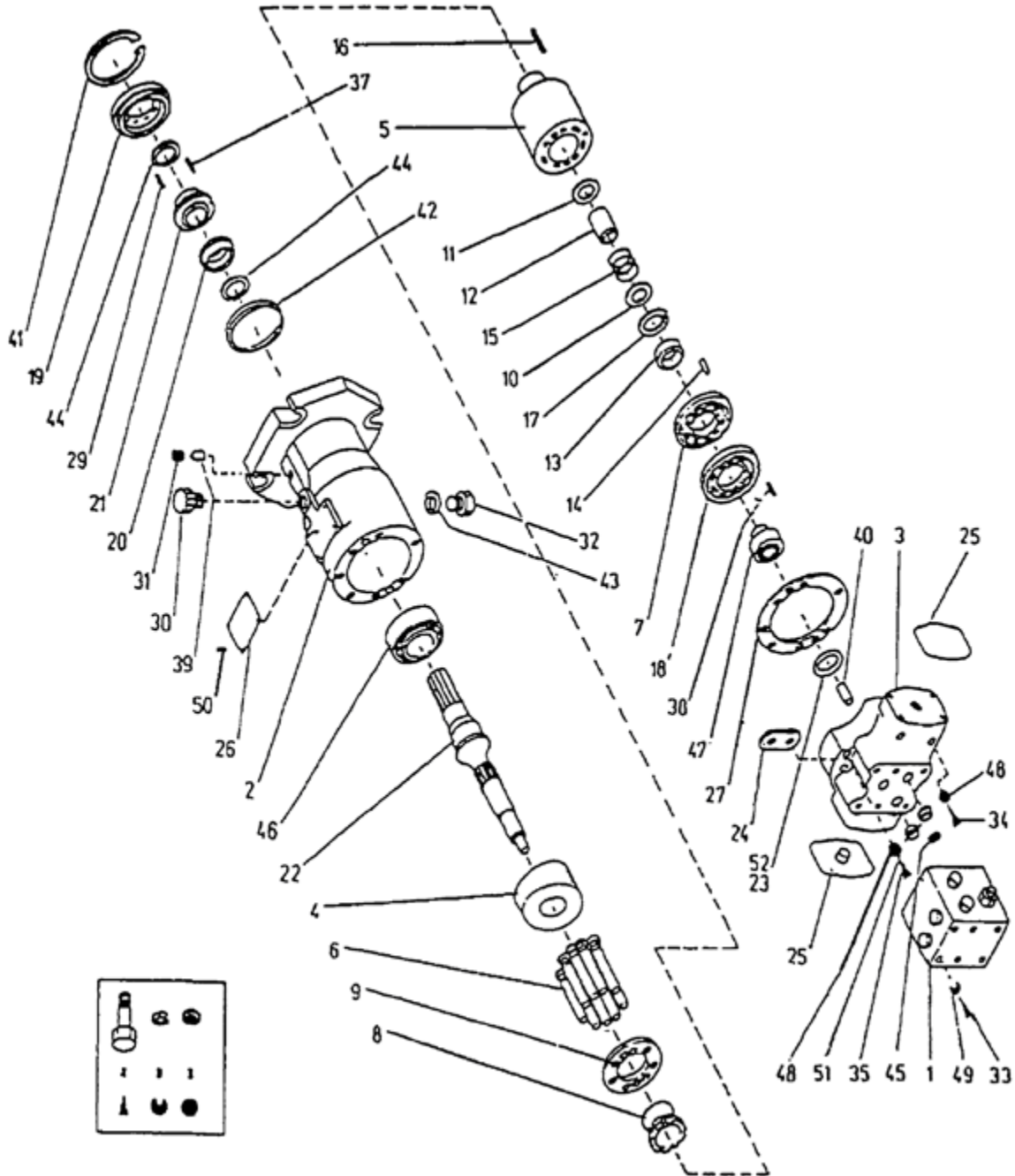
P&D on R = Price & Delivery on Request

Item #	Part #	Reference #	Description	Availability		
				Genuine Metaris	Hydralex Reman*	OEM
39		M90075005044	Swashplate Pin	P&D on R	n/a	P&D on R
40		M90048003110	End Cap Dowel Pin	n/a	n/a	Stock
41		M90062010387	Shaft Seal Retaining Ring	Stock	n/a	P&D on R
42		M90041002380	Shaft Seal Retainer O-Ring	Stock	n/a	P&D on R
43		M90042016200	Case Drain Plug O-Ring	Stock	n/a	P&D on R
44		M90041041360	Rotating Seal O-Ring	Stock	n/a	P&D on R
45		M90043750017	Manifold Block O-Ring Case Drain	Stock	n/a	P&D on R
46		M9510259	Front Bearing - Main Shaft	Stock	n/a	P&D on R
47		M9510261	Rear Bearing - End Cap	Stock	n/a	P&D on R
48		M90096105387	End Cap Screw Washer	P&D on R	n/a	P&D on R
49		M90096103459	Manifold Block Screw Washer	P&D on R	n/a	P&D on R
51		M90043750012	Manifold Block O-Ring High Pressure	Stock	n/a	P&D on R
		M9510237	Fixed Motor Gasket Kit (Seal Kit)	Stock	n/a	P&D on R

*Hydralex Global will purchase some reman parts cores back for a credit toward your account. If interested, please speak with your customer service representative for credit amounts. Parts must be in rebuildable/reworkable condition.

General

MF-25 Component Breakdown



General

MF-25 Replacement Parts Listing

P&D on R = Price & Delivery on Request

Item #	Part #	Reference #	Description	Availability		
				Genuine Metaris	Hydralex Reman*	OEM
1		M9510083	Valve Block	Stock	Stock	P&D on R
1		M95104385000	Pressure Valve 35 Mpa	Stock	Stock	P&D on R
2		M9250200	Motor Housing	P&D on R	Stock	P&D on R
3		M9250373	End Cap Code 62	P&D on R	Stock	P&D on R
4		M9250646	Swash Plate	Stock	Stock	P&D on R
5		M9250470	Cylinder Barrel	Stock	Stock	P&D on R
6		M95104080005	Piston Assembly (Set of 3)	Stock	Stock	P&D on R
7		M9250627	Bearing Plate	P&D on R	n/a	P&D on R
8		M9250073	Retainer (Ball) Guide	Stock	n/a	P&D on R
9		M9250170	Slipper Retainer (Set Plate)	Stock	n/a	P&D on R
10		M9250179	Spring Retainer	P&D on R	n/a	P&D on R
11		M9250013	Spring Seat	P&D on R	n/a	P&D on R
12		M9250015	Spring Guide	P&D on R	n/a	P&D on R
13		M9250628	Bearing Plate Pilot	Stock	n/a	P&D on R
14		M9240217	Pin	Stock	n/a	P&D on R
15		M9250676	Cylinder Barrel Spring	P&D on R	n/a	P&D on R
16		M9250471	Retainer (Ball Guide) Spring - 6SP Type	Stock	n/a	P&D on R
17		M90062500314	Retaining Ring	P&D on R	n/a	P&D on R
18		M9250629	Valve Plate	Stock	n/a	P&D on R
		M9510190	Shaft Seal Kit	Stock	n/a	P&D on R
19		M9240093	Seal Retainer	Stock	n/a	P&D on R
20		M9240086	Rotating Seal	Stock	n/a	P&D on R
21		M9240092	Stationary Seal	Stock	n/a	P&D on R
22		M9250415	Drive Shaft - 1.750 Str. Key w/ .375 Keyway	P&D on R	n/a	P&D on R
22		M9250379	Drive Shaft - 13T	P&D on R	n/a	P&D on R
22		M9250348	Drive Shaft - 27T	P&D on R	n/a	P&D on R
23		M95104230006	End Cap Bearing Shim Kit	Stock	n/a	P&D on R
24		M6890180	Lifting Eye	Stock	n/a	P&D on R
27		M9250587	End Cap Gasket	P&D on R	n/a	P&D on R
29		M9220242	Shaft Seal Retainer Spring	Stock	n/a	P&D on R
30		M90051009200	Case Drain Plug	P&D on R	n/a	P&D on R
31		M90051005600	Swashplate Pin Housing Plug	P&D on R	n/a	P&D on R
33		M90072003142	Manifold Block Hex Head Screw	P&D on R	n/a	P&D on R
34		M90072006248	Long End Cap Screw	P&D on R	n/a	P&D on R
35		M95104230006	Short End Cap Screw	P&D on R	n/a	P&D on R
38		M90048003110	Valveplate Pin	P&D on R	n/a	P&D on R

General

MF-25 Replacement Parts Listing Cont.

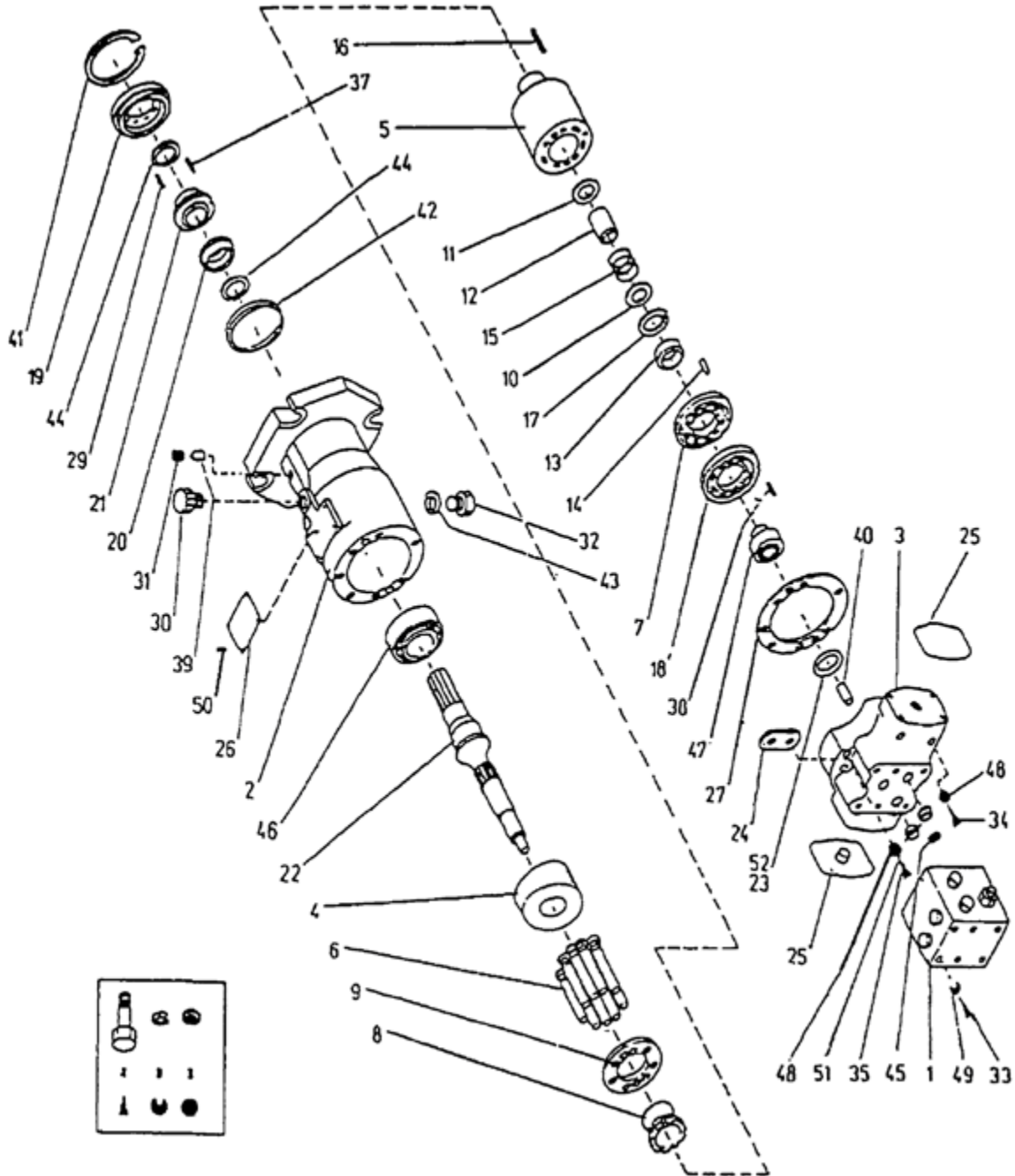
P&D on R = Price & Delivery on Request

Item #	Part #	Reference #	Description	Availability		
				Genuine Metaris	Hydralex Reman*	OEM
39		M9250644	Swashplate Pin	P&D on R	n/a	P&D on R
40		M90048003110	End Cap Dowel Pin	n/a	n/a	Stock
41		M90062010387	Shaft Seal Retaining Ring	Stock	n/a	P&D on R
42		M90041002380	Shaft Seal Retainer O-Ring	Stock	n/a	P&D on R
43		M90042019000	Case Drain Plug O-Ring	Stock	n/a	P&D on R
44		M90041041360	Rotating Seal O-Ring	Stock	n/a	P&D on R
45		M90043750017	Manifold Block O-Ring Case Drain	Stock	n/a	P&D on R
46		M9510264	Front Bearing - Main Shaft	Stock	n/a	P&D on R
47		M9510263	Rear Bearing - End Cap	Stock	n/a	P&D on R
48		M90096106690	End Cap Screw Washer	P&D on R	n/a	P&D on R
49		M90096103459	Manifold Block Screw Washer	P&D on R	n/a	P&D on R
51		M90043750012	Manifold Block O-Ring High Pressure	Stock	n/a	P&D on R
		M9510240	Fixed Motor Gasket Kit (Seal Kit)	Stock	n/a	P&D on R

*Hydralex Global will purchase some reman parts cores back for a credit toward your account. If interested, please speak with your customer service representative for credit amounts. Parts must be in rebuildable/reworkable condition.

General

MF-26 Component Breakdown



General

MF-26 Replacement Parts Listing

P&D on R = Price & Delivery on Request

Item #	Part #	Reference #	Description	Availability		
				Genuine Metaris	Hydralex Reman*	OEM
1		M9510083	Valve Block	Stock	Stock	P&D on R
1		M95104385000	Pressure Valve 35 Mpa	Stock	Stock	P&D on R
2		M9260149	Motor Housing	P&D on R	Stock	P&D on R
3		M9260146	End Cap Code 62	P&D on R	Stock	P&D on R
4		M9260150	Swash Plate	Stock	Stock	P&D on R
5		M9260231	Cylinder Barrel	Stock	Stock	P&D on R
6		M95104080006	Piston Assembly (Set of 3)	Stock	Stock	P&D on R
7		M9260321	Bearing Plate	P&D on R	n/a	P&D on R
8		M9260047	Retainer (Ball) Guide	Stock	n/a	P&D on R
9		M9260072	Slipper Retainer (Set Plate)	Stock	n/a	P&D on R
10		M9260014	Spring Retainer	P&D on R	n/a	P&D on R
11		M9260013	Spring Seat	P&D on R	n/a	P&D on R
12		M9260015	Spring Guide	P&D on R	n/a	P&D on R
13		M9260358	Bearing Plate Pilot	Stock	n/a	P&D on R
14		M9260088	Pin	Stock	n/a	P&D on R
15		M9260326	Cylinder Barrel Spring	Stock	n/a	P&D on R
16		M9260232	Retainer (Ball Guide) Spring - 6SP Type	Stock	n/a	P&D on R
17		M90062500343	Retaining Ring	P&D on R	n/a	P&D on R
18		M9260357	Valve Plate	Stock	n/a	P&D on R
		M9510275	Shaft Seal Kit	Stock	n/a	P&D on R
19		M9260050	Seal Retainer	Stock	n/a	P&D on R
20		M9260048	Rotating Seal	Stock	n/a	P&D on R
21		M9260049	Stationary Seal	Stock	n/a	P&D on R
22		M9260151	Drive Shaft - 13T	P&D on R	n/a	P&D on R
22		M9260198	Drive Shaft - 27T	P&D on R	n/a	P&D on R
22		M9260181	Drive Shaft - 2.250 Str. Key w/ .500 Keyway	P&D on R	n/a	P&D on R
23		M95104230007	End Cap Bearing Shim Kit	Stock	n/a	P&D on R
24		M6890180	Lifting Eye	Stock	n/a	P&D on R
27		M9260144	End Cap Gasket	P&D on R	n/a	P&D on R
29		M9220242	Shaft Seal Retainer Spring	Stock	n/a	P&D on R
30		M90051009700	Case Drain Plug	P&D on R	n/a	P&D on R
31		M90051005600	Swashplate Pin Housing Plug	P&D on R	n/a	P&D on R
33		M90072003142	Manifold Block Hex Head Screw	P&D on R	n/a	P&D on R
34		M90072007552	Long End Cap Screw	P&D on R	n/a	P&D on R
38		M90048003110	Valveplate Pin	P&D on R	n/a	P&D on R
39		M9270388	Swashplate Pin	P&D on R	n/a	P&D on R

General

MF-26 Replacement Parts Listing Cont.

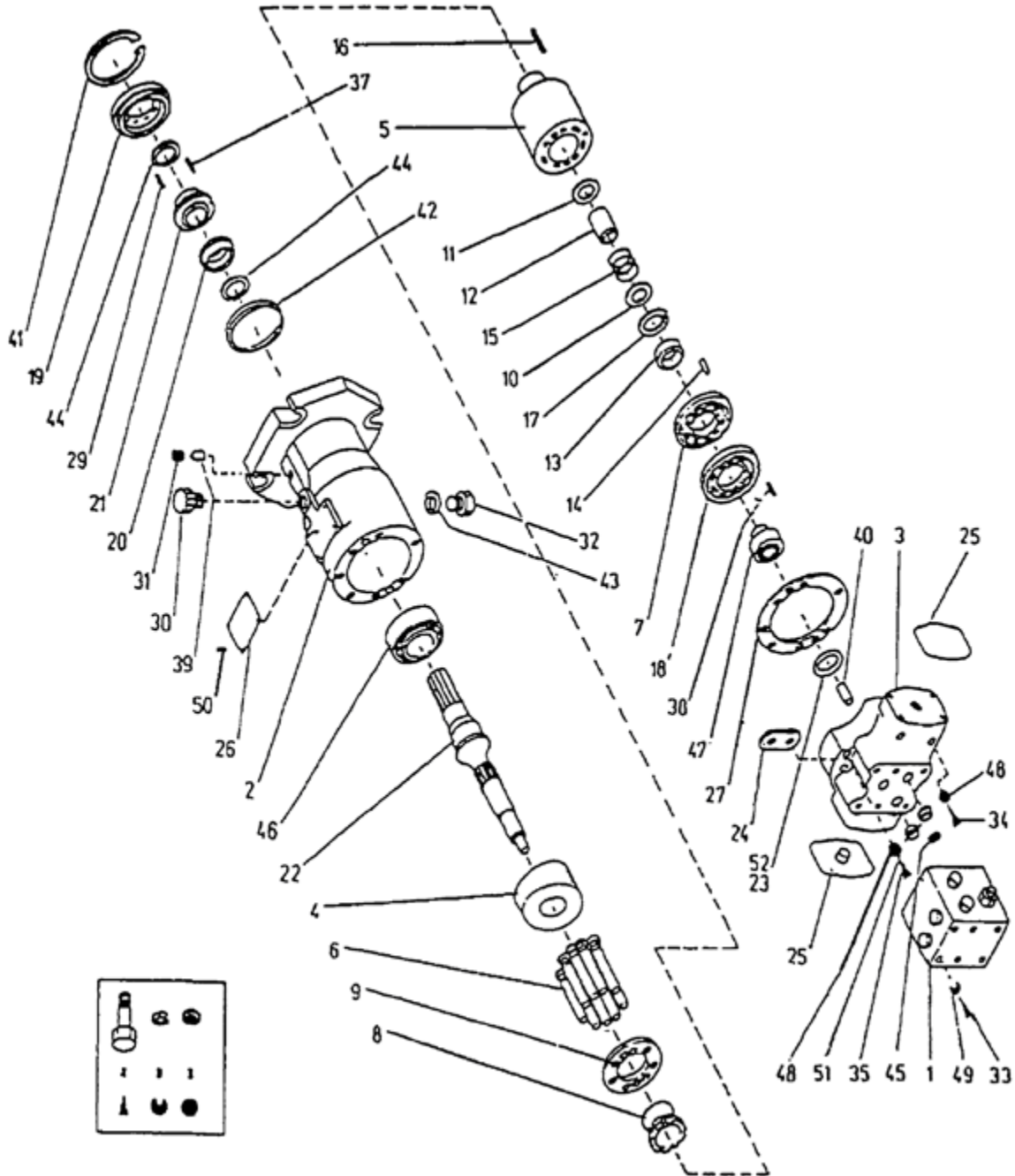
P&D on R = Price & Delivery on Request

Item #	Part #	Reference #	Description	Availability		
				Genuine Metaris	Hydralex Reman*	OEM
40		M90048003110	End Cap Dowel Pin	n/a	n/a	Stock
41		M90062010433	Shaft Seal Retaining Ring	Stock	n/a	P&D on R
42		M90041002420	Shaft Seal Retainer O-Ring	Stock	n/a	P&D on R
43		M90042019400	Case Drain Plug O-Ring	Stock	n/a	P&D on R
44		M90041041440	Rotating Seal O-Ring	Stock	n/a	P&D on R
45		M90043750017	Manifold Block O-Ring Case Drain	Stock	n/a	P&D on R
46		M9510267	Front Bearing - Main Shaft	Stock	n/a	P&D on R
47		M9510266	Rear Bearing - End Cap	Stock	n/a	P&D on R
48		M90096108092	End Cap Screw Washer	P&D on R	n/a	P&D on R
49		M90096103459	Manifold Block Screw Washer	P&D on R	n/a	P&D on R
51		M90043750012	Manifold Block O-Ring High Pressure	Stock	n/a	P&D on R
		M9510317	Fixed Motor Gasket Kit (Seal Kit)	Stock	n/a	P&D on R

*Hydralex Global will purchase some reman parts cores back for a credit toward your account. If interested, please speak with your customer service representative for credit amounts. Parts must be in rebuildable/reworkable condition.

General

MF-27 Component Breakdown



General

MF-27 Replacement Parts Listing

P&D on R = Price & Delivery on Request

Item #	Part #	Reference #	Description	Availability		
				Genuine Metaris	Hydralex Reman*	OEM
1		M9510083	Valve Block	Stock	Stock	P&D on R
1		M95104385000	Pressure Valve 35 Mpa	Stock	Stock	P&D on R
2		M9270485	Motor Housing	P&D on R	Stock	P&D on R
3		M9270409	End Cap Code 62	P&D on R	Stock	P&D on R
4		M9270483	Swash Plate	Stock	Stock	P&D on R
5		M9270495	Cylinder Barrel	Stock	Stock	P&D on R
6		M95104080009	Piston Assembly (Set of 3)	Stock	Stock	P&D on R
7		M9270657	Bearing Plate	P&D on R	n/a	P&D on R
8		M9270105	Retainer (Ball) Guide	Stock	n/a	P&D on R
9		M9270486	Slipper Retainer (Set Plate)	Stock	n/a	P&D on R
10		M9270209	Spring Retainer	P&D on R	n/a	P&D on R
11		M9270013	Spring Seat	P&D on R	n/a	P&D on R
12		M9270015	Spring Guide	P&D on R	n/a	P&D on R
13		M9270656	Bearing Plate Pilot	Stock	n/a	P&D on R
14		M9260088	Pin	Stock	n/a	P&D on R
15		M9270448	Cylinder Barrel Spring	P&D on R	n/a	P&D on R
16		M9270496	Retainer (Ball Guide) Spring - 6SP Type	P&D on R	n/a	P&D on R
17		M90062500400	Retaining Ring	P&D on R	n/a	P&D on R
18		M9270655	Valve Plate	Stock	n/a	P&D on R
		M9510191	Shaft Seal Kit	Stock	n/a	P&D on R
19		M9270126	Seal Retainer	Stock	n/a	P&D on R
20		M9270124	Rotating Seal	Stock	n/a	P&D on R
21		M9270125	Stationary Seal	Stock	n/a	P&D on R
22		M9270423	Drive Shaft - 15T	P&D on R	n/a	P&D on R
22		M9270390	Drive Shaft - 40T	P&D on R	n/a	P&D on R
22		M9270451	Drive Shaft - 2.500 Str. Key w/ .625 Keyway	P&D on R	n/a	P&D on R
23		M95104230008	End Cap Bearing Shim Kit	Stock	n/a	P&D on R
24		M6890180	Lifting Eye	Stock	n/a	P&D on R
27		M9270710	End Cap Gasket	P&D on R	n/a	P&D on R
29		M9220242	Shaft Seal Retainer Spring	Stock	n/a	P&D on R
30		M90051009700	Case Drain Plug	P&D on R	n/a	P&D on R
31		M90051005600	Swashplate Pin Housing Plug	P&D on R	n/a	P&D on R
33		M90072003142	Manifold Block Hex Head Screw	P&D on R	n/a	P&D on R
34		M90072007552	Long End Cap Screw	P&D on R	n/a	P&D on R
35		M90072007556	Short End Cap Screw	P&D on R	n/a	P&D on R
38		M90048003110	Valveplate Pin	P&D on R	n/a	P&D on R

General

MF-27 Replacement Parts Listing Cont.

P&D on R = Price & Delivery on Request

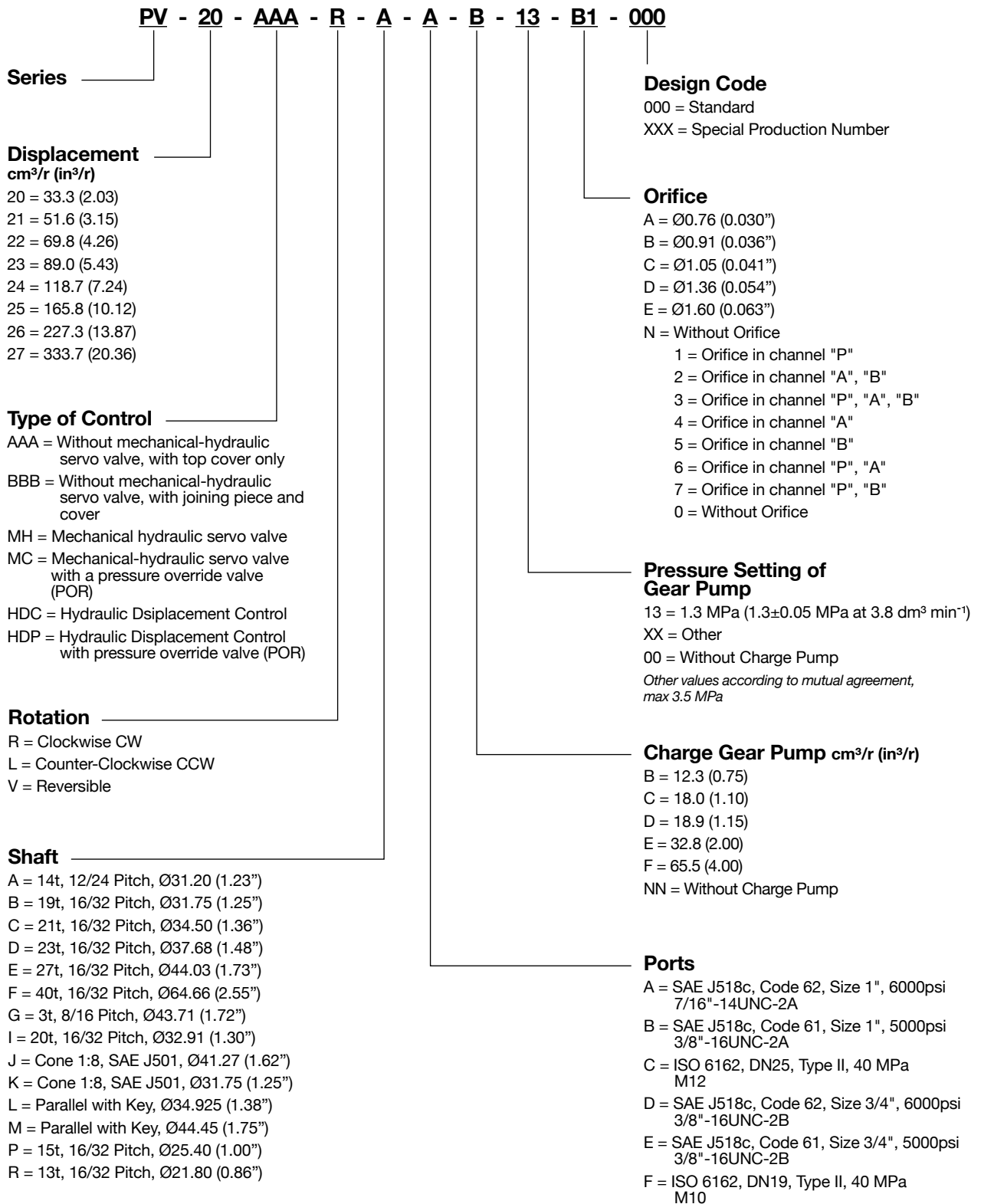
Item #	Part #	Reference #	Description	Availability		
				Genuine Metaris	Hydralex Reman*	OEM
39		M9270388	Swashplate Pin	P&D on R	n/a	P&D on R
40		M90048003110	End Cap Dowel Pin	n/a	n/a	Stock
41		M90062010450	Shaft Seal Retaining Ring	Stock	n/a	P&D on R
42		M90041002430	Shaft Seal Retainer O-Ring	Stock	n/a	P&D on R
43		M90042019400	Case Drain Plug O-Ring	Stock	n/a	P&D on R
44		M90041041490	Rotating Seal O-Ring	Stock	n/a	P&D on R
45		M90043750017	Manifold Block O-Ring Case Drain	Stock	n/a	P&D on R
46		M9510270	Front Bearing - Main Shaft	Stock	n/a	P&D on R
47		M9510386	Rear Bearing - End Cap	Stock	n/a	P&D on R
48		M90096108092	End Cap Screw Washer	P&D on R	n/a	P&D on R
49		M90096103459	Manifold Block Screw Washer	P&D on R	n/a	P&D on R
51		M90043750012	Manifold Block O-Ring High Pressure	Stock	n/a	P&D on R
		M9510243	Fixed Motor Gasket Kit (Seal Kit)	Stock	n/a	P&D on R

*Hydralex Global will purchase some reman parts cores back for a credit toward your account. If interested, please speak with your customer service representative for credit amounts. Parts must be in rebuildable/reworkable condition.

Model Code

PV Series Units

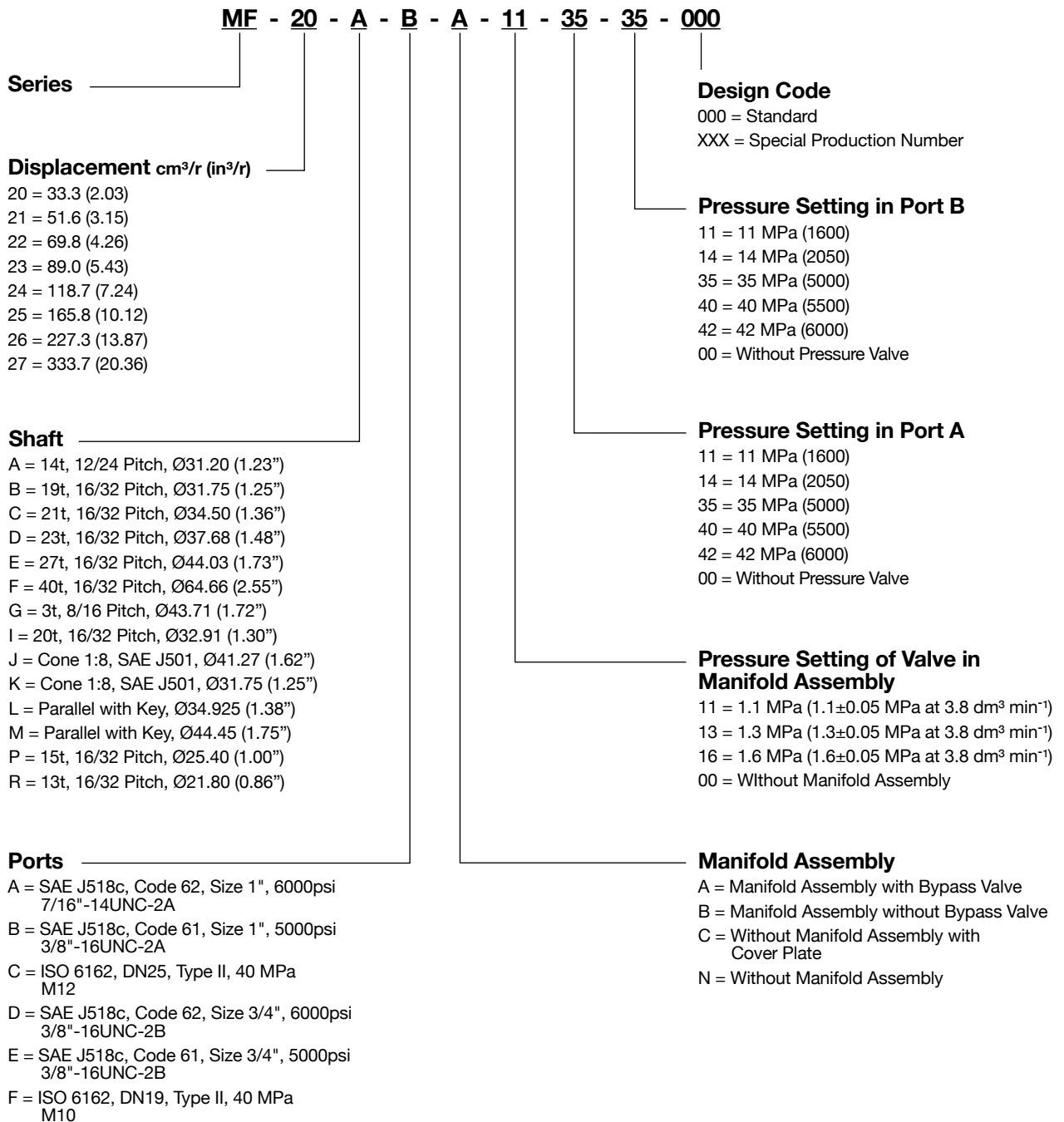
We can build any combination of the below model coding. Inventory is constantly being updated – please call for availability. Feel free to provide full model code callout or OEM part number.



Model Code

MF Series Units

We can build any combination of the below model coding. Inventory is constantly being updated – please call for availability. Feel free to provide full model code callout or OEM part number.



General

Optional Core Returns

We are proud to introduce our Hydralex Reman option – This is an outright purchase option (no core charges necessary). **No Core Return is Required.**

If you choose to send your core back, the core must be rebuildable/reworkable - a credit will be applied to your account (once received and evaluated) for future purchases.

Please ship all cores to Flint Hydrostatics: 4084 E. Shelby Drive, Memphis, TN 38118

Reference your Sales Order # or Purchase Order # on the core when returning it.

Hydraulex Global - A Recognized Global Leading Provider of High Quality Hydraulic Components



Products We Offer

- Inline Piston Pumps
- Radial Piston Pumps & Motors
- Bent Axis Piston Pumps & Motors
- Fixed Volume Vane Pumps
- Variable Volume Vane Pumps
- Gear Pumps
- Vane Motors
- Axial Piston Motors
- High Speed Motors
- Servo Motors
- Orbital Motors
- Directional Valves
- Flow Control Valves
- Pressure Control Valves
- Relief Valves
- Check Valves
- Stack Valves
- Servo Valves
- Proportional Valves
- PTOs (Power Take-offs)
- Cylinders



Hydraulex Global Corporate
48175 Gratiot Ave
Chesterfield, MI 48051
Toll Free: 800.422.4279
Tel: 586.949.4240
www.hydraulex.com

Hydraulex Global - Michigan	Tel: 586.949.4240
Hydraulex Global - Mississippi	Tel: 601.469.1987
Hydraulex Global - Ontario	Tel: 416.638.6000
Hydraulex Global - Washington	Tel: 253.604.0400
Hydraulex Global - Tennessee	Tel: 901.794.2462

sales@ahx1.com
sales@metarisusa.com
sales@metaris.com
sales@h-r-d.com
sales@flinthydrostatics.com



Connect with us:



All manufacturers names, symbols and descriptions in this document are used for reference purposes only, and it is not implied that any parts listed is the product of these manufacturers.